



Bobcat®

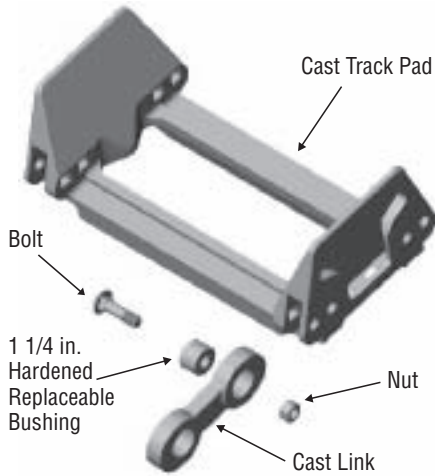
Bobcat Steel Tracks



One Tough Animal™

Specifications

Track Design Features



Installation Tool



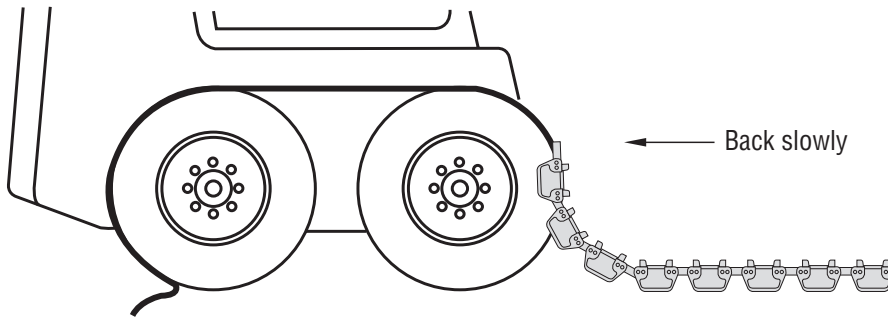
An installation tool is included with each set of tracks. This reduces the time and effort required to connect the track ends.



Look for the Bobcat brand to verify you have the correct steel Track fit and function for your Bobcat loader.

Installation and Removal

After initial installation, most track sizes can be reinstalled in less than 30 minutes. (Always refer to the complete installation instructions prior to installing tracks.)



Using a rope or chain, the tracks are easily pulled over the tires by backing the loader slowly.

Bobcat offers a steel track kit to fit almost any size Bobcat loader. Contact your local Bobcat dealer for pricing and availability.

Why Tracks?

- Improved performance in rough, rocky or muddy conditions
- Better flotation
- Reduced ground pressure

Loaders with tracks allow for better flotation and reduced ground pressure when compared to rubber tired skid-steer loaders – this means you can get back on the jobsite sooner and stay on it longer in wet conditions.



Bobcat Cross-Bar Track Features

- Open bar design utilizes the tire to provide maximum traction and flotation.
- Improves traction and flotation in soft, muddy and loose conditions.
- Open side plate allows excellent cleaning in the pivot area.
- Can be installed in less than 30 minutes or removed in 10 minutes.
- 1-1/4 in. hardened replaceable bushings.
- Run loose design.
- Self-cleaning.
- Provides tire protection.
- Built-in length adjustment.
- Field-serviceable and rebuildable.

NOTE - Where applicable, dimensions are in accordance with Society of Automotive Engineers (SAE) and ISO standards. Specifications and design are subject to change without notice. Pictures of Bobcat units may show other than standard equipment. All dimensions are given for loader equipped with standard tires. All dimensions are shown in inches. Respective metric dimensions are enclosed by parentheses. Bobcat Company complies with the requirements of ISO 9001 as registered with BSI.

The Bobcat Attachments Advantage: Bobcat attachments are engineered and manufactured to fit Bobcat loaders for optimum job performance, dependability and durability.



Printed on 10% recycled paper

