

# 825 SERVICE SCHEDULE

## CONSULT OWNER'S MANUAL FOR DETAILED SERVICING REQUIREMENTS

### EVERY 10 HOURS

1. Engine Oil — check level — do not overfill.
2. Engine Air Filter — empty dust cap — change element if needed.
3. Engine Cooling — check coolant level and clean radiator cooling area.
4. Controls and Loader Lift Arm Grease Fittings — lubricate 14 points with multipurpose lithium base grease.
5. Tires — check inflation pressure (flotation 45 PSI (170 kPa); standard 50 PSI (340 kPa)).
6. General — check for loose or broken parts, damaged seat belt or operator guard, loose wheel nuts & oil leaks etc.

### EVERY 50 HOURS

1. Engine oil — drain hot and change filter. Use only 10W-30 or 10W-40 API service CC grade.
2. Hydraulic Fluid — check level and add as required. (Refer to Owner's Manual for type).
3. Battery — check condition.
4. Controls and Brakes — check operation, adjust if needed.

### EVERY 100 HOURS

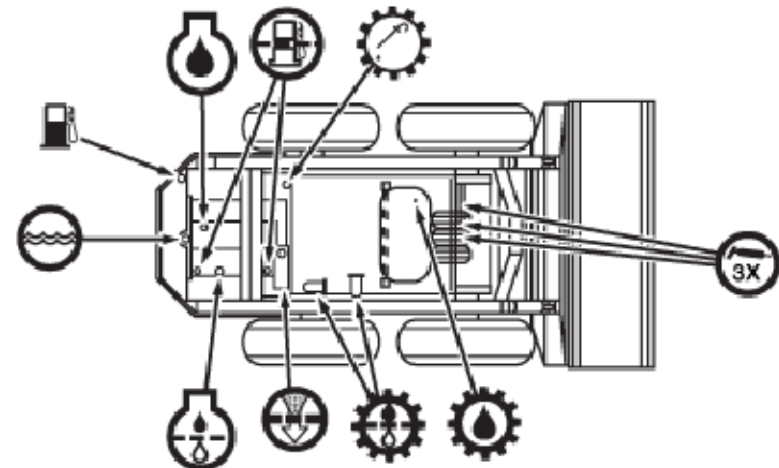
1. Spark Arrestor Muffler — empty the spark chamber.

### EVERY 250 HOURS

1. Hydraulic System — change primary filter. Secondary filters changed only when major service is performed.

### EVERY 1000 HOURS

1. Hydraulic Fluid — drain and replace with fluid. (Refer to Owner's Manual for type).



CODE FOR SYMBOLS				
12X Grease	Fuel Fill	Fuel Filter	Transmission Dipstick	Coolant
Air Filter	Engine Oil Fill	Engine Oil Filter	Hydraulic Reservoir	Hydraulic Oil Filter

