

Applications

Forestry

Landscaping

Main features

Provides you a complete tree and brush management package
 Cut higher trees and limbs down to size - Grind trees from top to bottom - Produce mulch
 Spiral tooth pattern allows one tooth to engage at a time for smoother operation and less horsepower demand
 Double-tipped carbide teeth efficiently rip through hard and soft woods, provide long life

Can operate below grade to process mulch into the soil
 Pressure gauge is visible from the seat to help operator run the attachment at peak efficiency
 The standard front gate can reduce front discharge of material and can promote longer processing into finer mulch
 The Bobcat® Forestry Applications Kit protects the operator and the machine

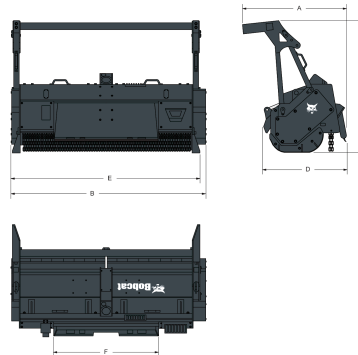
Compatibility

Description	Item number	Compatible with loader
FRC150HT	7310677	A770-E, A770-B, T770E IV, T770E T3, T770B T3, T870E IV, T870B T3, S770E IV, S770E T3, S770B T3, S850E IV, S850E T3, S850B T3, A770E IV
FRC200HT	7307970	A770-E, A770-B, T770E IV, T770E T3, T770B T3, T870E IV, T870B T3, S770E IV, S770E T3, S770B T3, S850E IV, S850E T3, S850B T3, A770E IV
FRC150ST	7310678	T590E IIIB, T590B iT4, T650E IIIB, T650E iT4, T650B iT4, S630E iT4, S630B iT4, S650E iT4, S650B iT4, T590E V, S76, T66, T76

Characteristics and performance

Description	Item number	Cutting width (mm)	Number of teeth	Tree diameter, continuous use (mm)	Tree diameter, intermittent use (mm)	Tree diameter, occasional removal (mm)
FRC150HT	7310677	1500.0	30	100.0-120.0	180.0-220.0	250.0-300.0
FRC200HT	7307970	2000.0	36	100.0-120.0	180.0-220.0	250.0-300.0
FRC150ST	7310678	1500.0	30	100.0-120.0	150.0-200.0	220.0-260.0

Weights and dimensions



Description	Item number	Operating weight (kg)	Shipping weight (kg)	Overall length (A) (mm)	Overall width (B) (mm)	Overall height (C) (mm)
FRC150HT	7310677	1050.0	1050.0	1219.0	1753.0	1437.0
FRC200HT	7307970	1270.0	1270.0	1219.0	2253.0	1437.0
FRC150ST	7310678	850.0	850.0	1152.0	1751.0	1438.0