

Applications

 Construction and Demolition
 Grading and Leveling

 Landscaping
 Road work, Recycling and Cleaning

Main features

 Blade has a reversible cutting edge that is also easily replaceable.
 Bob-Tach™ mounted.
 Blade manually adjusts sideways up to 30 cm either way.

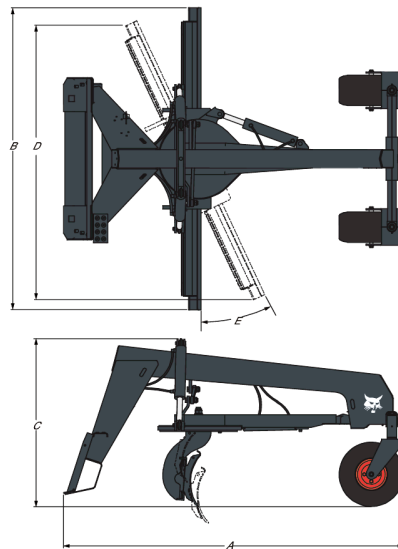
 Optional laser control package for precise grade control in flatwork contracting.
 Attachment control kit must be installed on Bobcat loader to operate attachment.
 3 cylinders for precise positioning of the blade

Compatibility

Description	Item number	Compatible with loader
Grader 213 cm	6906480	A770-B, T870B T3, S850E IV, S850E T3, S850B T3, T450E IIIB, T590E IIIB, T590B iT4, S450E IIIA, S450B T2, S510E IIIA, S510B T2, S530E IIIA, S530B T2, S550E IIIB, S550B iT4, S570E IIIB, S570B iT4, S590E IIIB, S590B iT4, S630E IIIB, S630E iT4, S630B iT4, S650E IIIB, S650E iT4, S650B iT4, S770E IV, S770E T3, S770B T3, A770E IV, S450 V, S510E V, S530E V
Grader 244 cm	7160005	A770-B, T650E IIIB, T650E iT4, T650B iT4, T770E IV, T770E T3, T770B T3, T870E IV, T870B T3, S770E IV, S770E T3, S770B T3, S850E IV, S850E T3, S850B T3, A770E IV
Grader 274 cm	7182060	A770-B, T770E IV, T770E T3, T770B T3, T870E IV, T870B T3, S770E IV, S770E T3, S770B T3, S850E IV, S850E T3, S850B T3, A770E IV

Characteristics and performance

Description	Item number	Blade angle (Right or Left) (°)	Blade width fully angled (D) (mm)	Sideshift	Blade side-shift Left/Right (mm from center)
Grader 213 cm	6906480	25.0	1933.0	Manual	305
Grader 244 cm	7160005	30.0	2126.0	Hydraulic	330
Grader 274 cm	7182060	30.0	2380.0	Hydraulic	330

Weights and dimensions


Description	Item number	Operating weight (kg)	Shipping weight (kg)	Overall length (A) (mm)	Overall width (B) (mm)	Overall height (C) (mm)
Grader 213 cm	6906480	624.0	624.0	2400.0	2134.0	1187.0
Grader 244 cm	7160005	1264.0	1264.0	2642.0	2438.0	1522.0
Grader 274 cm	7182060	1298.0	1298.0	2642.0	2743.0	1522.0