

Applications

Snow Removal

Main features

Ideal for spreading salt and sand as well as fertilizers and seeds, enabling you to work all year round

Three gates allow you to spread across 180° in front of the machine and up to 8m wide

Self-loading from a stockpile like a conventional bucket with a capacity of 0.33m³

An agitator in the hopper facilitates the flow of any caked material

A cab control allows you to regulate the spinner wheel rpm directly from the operator's seat

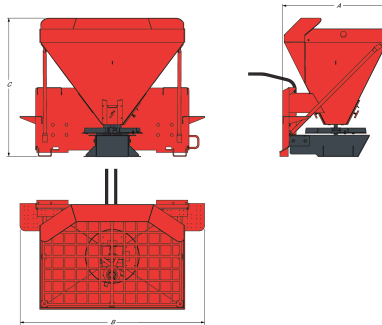
Large chunks of sand and salt are filtered through the screen at the top of the hopper for even, consistent flow

Compatibility

Description	Item number	Compatible with loader
Salt & Sand Spreader 8	7157275	
Salt & Sand Spreader HS8	7157284	A770-B, T450E IIIB, T590E IIIB, T590B iT4, T650E IIIB, T650E iT4, T650B iT4, T770E IV, T770E T3, T770B T3, T870E IV, T870B T3, S450E IIIA, S450B T2, S510E IIIA, S510B T2, S530E IIIA, S530B T2, S550E IIIB, S550B iT4, S570E IIIB, S570B iT4, S590E IIIB, S590B iT4, S630E IIIB, S630E iT4, S630B iT4, S650E IIIB, S650E iT4, S650B iT4, S770E IV, S770E T3, S770B T3, S850E IV, S850E T3, S850B T3, A770E IV, S450 V, S510E V, S530E V, T590E V

Characteristics and performance

Description	Item number	Hopper capacity struck (m3)	Hopper capacity heaped (m3)	RPM
Salt & Sand Spreader 8	7157275	-	272.0	64
Salt & Sand Spreader HS8	7157284	0.272	0.33	Hydr.

Weights and dimensions


Description	Item number	Operating weight (kg)	Shipping weight (kg)	Overall length (A) (mm)	Overall width (B) (mm)	Overall height (C) (mm)
Salt & Sand Spreader 8	7157275	176.0	176.0	-	1120.0	-
Salt & Sand Spreader HS8	7157284	198.0	198.0	815.0	1382.0	1039.0