

**Applications**

Construction and Demolition

Lifting and Handling

**Main features**

Drop length of 24 m (total cable length is 51 m) with a cable diameter of 12 mm.  
The cable is wound up properly thanks to a cable-pressing roller, a small rake angle and a threaded drum (complying with EN-14492-2).  
The hydraulic components are protected by a protective cage.

Extra wide block prevents cable from twisting and wearing.  
Maximum hoist speed is 21.5 m/min.

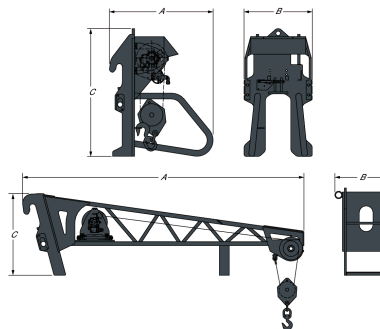
They come with a removable stand to support the winch and keep it off the ground when in storage. For easy handling & carrying, the stand is equipped with pallet fork slots.

**Compatibility**

Description	Item number	Compatible with telescopic
TLS 3.5T Winch	7185755	
Winch 4t QT	7185754	T41.140SLP 75 V, T40.180SLP 75 V
Hydraulic Winch (2 t) + Extension Jib L = 1.3 m	7190463	
Hydraulic Winch (2 t) + Extension Jib L = 1.3 m	7254898	TR38160EVO IIIA, TR38160EVO IIIB, TR50190EVO IIIB, TR50210EVO IIIA, TR50210EVO IIIB, TR40250EVO IIIA, TR40250EVO IIIB
Hydraulic Winch (1.2 t) + Extension Jib L = 2.5 m	7190469	
Hydraulic Winch (1.2 t) + Extension Jib L = 2.5 m	7254899	TR38160EVO IIIA, TR38160EVO IIIB, TR50190EVO IIIB, TR50210EVO IIIA, TR50210EVO IIIB, TR40250EVO IIIA, TR40250EVO IIIB
Hydraulic Winch (1.2 t) + Extension Jib L = 2.5 m for MB Bracket	7276582	TR50210EVO IIIB, TR40250EVO IIIB
Hydraulic Winch (0.6T) + extension jib L=4.5m	7190475	
Hydraulic Winch, double pull without cable guide (2.5T)	7191873	
Hydraulic Winch, double pull without cable guide (3.8T)	7191874	
Hydraulic Winch, double pull with cable guide (capacity 3 t)	7254901	TR38160EVO IIIA, TR38160EVO IIIB, TR50190EVO IIIB, TR50210EVO IIIA, TR50210EVO IIIB, TR40250EVO IIIA, TR40250EVO IIIB
Hydraulic Winch, double pull with cable guide (capacity 4 t)	7191875	
Hydraulic Winch, double pull with cable guide (capacity 4 t)	7275191	TR50190EVO IIIB, TR50210EVO IIIA, TR50210EVO IIIB, TR40250EVO IIIA, TR40250EVO IIIB
Hydraulic Winch, double pull with cable guide (5.0T)	7191876	

**Characteristics and performance**

Description	Item number	Max load (kg)	Drop length (m)	Max. hydr. pressure (bar)	Max. hydr. flow (L/min)
Hydraulic Winch (2 t) + Extension Jib L = 1.3 m	7254898	2000.0	-	-	-
Hydraulic Winch (1.2 t) + Extension Jib L = 2.5 m	7254899	1200.0	-	-	-
Hydraulic Winch (1.2 t) + Extension Jib L = 2.5 m for MB Bracket	7276582	1200.0	-	-	-
Hydraulic Winch, double pull with cable guide (capacity 3 t)	7254901	3000.0	-	-	-
Hydraulic Winch, double pull with cable guide (capacity 4 t)	7275191	4000.0	-	-	-

**Weights and dimensions**


Description	Item number	Operating weight (kg)	Shipping weight (kg)	Overall Length (A) (mm)	Overall Width (B) (mm)	Overall Height (C) (mm)
Hydraulic Winch (2 t) + Extension Jib L = 1.3 m	7254898	250.0	250.0	1300.0	480.0	-
Hydraulic Winch (1.2 t) + Extension Jib L = 2.5 m	7254899	325.0	325.0	2500.0	480.0	-
Hydraulic Winch (1.2 t) + Extension Jib L = 2.5 m for MB Bracket	7276582	245.0	245.0	2500.0	550.0	-
Hydraulic Winch, double pull with cable guide (capacity 3 t)	7254901	410.0	410.0	-	890.0	-
Hydraulic Winch, double pull with cable guide (capacity 4 t)	7275191	490.0	490.0	-	550.0	-