

**Weights**

Operating weight with cab and bucket (ISO 6016)	1885 kg
Transport mass (no attachment)	1768 kg
Weight reduction with canopy	-96 kg
Additional weight for long dipperstick	6 kg
Additional weight for counterweight	50 kg
Ground pressure with rubber tracks	32.40 kPa

**Engine**

Make / model	Kubota / D722-E4B-BCZ-7
Fuel	Diesel
Number of cylinders	3
Displacement	719 cm <sup>3</sup>
Maximum power @ 2500 rpm (ISO 14396)	10.2 kW
Maximum torque (SAE)	43.5 Nm

**Performance**

Digging force, dipperstick (ISO 6015)	10371 N
Digging force, long dipperstick (ISO 6015)	9279 N
Digging force, bucket (ISO 6015)	20835 N
Drawbar pull	19380 N
Travel speed, low range	2.7 km/h
Travel speed, high range	4.2 km/h

**Hydraulic System**

Pump type	Dual piston pump with gear pump
Pump capacity	41.30 L/min
Piston pump capacity	30.00 L/min
Auxiliary flow	30.00 L/min
Auxiliary relief	180.0 bar

**Slew System**

Boom swing, left	80.0°
Boom swing, right	60.0°
Slew rate	8.4 RPM

**Fluid Capacities**

Cooling system	3.30 L
Engine lubrication plus oil filter	3.30 L
Fuel reservoir	19.00 L
Hydraulic reservoir	14.30 L
Hydraulic system	19.00 L

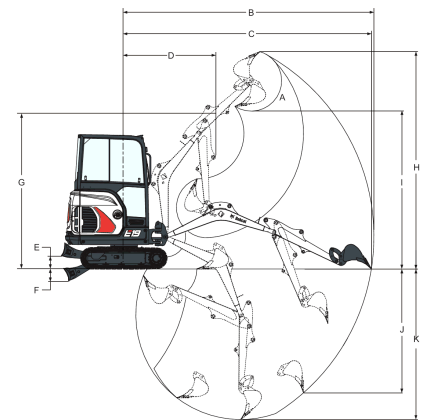
**Environmental**

Noise level LpA(EU Directive 2006/42/EC)	79 dB(A)
Noise level LWA(EU Directive 2000/14/EC)	93 dB(A)
Whole body vibration (ISO 2631-1)	0.09 ms <sup>-2</sup>
Hand-arm vibration (ISO 5349-1)	0.33 ms <sup>-2</sup>

**Standard Features**

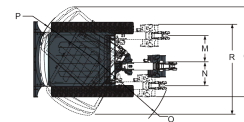
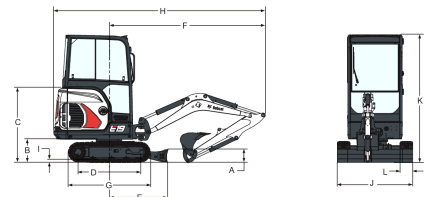
230 mm rubber track	Hydraulic and travel control lockout
980 mm dozer blade with two 190 mm blade extensions	Hydraulic joystick controls
Battery disconnect switch	Hydraulically retractable undercarriage from 1360 mm to 980 mm
Control console locks	980 mm
Cupholders	Retractable seat belt
Double acting auxiliary hydraulics with quick couplers	Storage compartment
Engine monitor with auto shutdown	TOPS/ROPS/FOPS canopy <sup>1</sup>
Exposed counterweight with 4 mm steel tailgate	Two-speed travel
Foldable and ergonomic pedals	Upper structure four point tie down
Full fuel warning alarm	Water separator
Grease gun holder	Work light (boom)
Horn	Warranty: 12 months, 2000 hours (whichever occurs first)

1. Roll Over Protective Structure (ROPS) – Meets requirements of ISO 3471. Tip Over Protective Structure (TOPS) – Meets requirements of ISO 12117. Falling Object Protective Structure (FOPS) – Meets requirements of ISO 3449.

**Working Range**


Values marked with \* - Long dipperstick

(A)	196.0°	(G)	2564.0 mm
(B)	4084.0 mm	(H)	3573.0 mm
(B*)	4257.0 mm	(H*)	3701.0 mm
(C)	4039.0 mm	(I)	2566.0 mm
(C*)	4214.0 mm	(I*)	2693.0 mm
(D)	1542.0 mm	(J)	1948.0 mm
(D*)	1561.0 mm	(J*)	2115.0 mm
(E)	220.0 mm	(K)	2385.0 mm
(F)	204.0 mm	(K*)	2565.0 mm

**Dimensions**


(A)	235.0 mm	(J)	980.0 mm
(B)	419.0 mm	(J*)	1360.0 mm
(C)	1340.0 mm	(K)	2299.0 mm
(D)	1114.0 mm	(L)	230.0 mm
(E)	1045.0 mm	(M)	433.0 mm
(F)	2832.0 mm	(N)	589.0 mm
(G)	1476.0 mm	(O)	1154.0 mm
(H)	3831.0 mm	(P)	1009.0 mm
(H*)	3812.0 mm	(Q)	1801.0 mm
(I)	25.0 mm	(R)	1645.0 mm

**Options**

1st AUX hydraulic on arm	Klac C and MS01 couplers
2nd AUX hydraulics	LED lights set
Additional lights (2+1)	Left and right mirror
AM/FM MP3 stereo radio	Long dipperstick with clamp eyes
Beacon	Long dozer blade
Comfort package (Superior seat for canopy or cloth suspension seat for cab, Autospeed shift, Aux and Off-set pilot control)	Object handling device (safety valves + overload warning device + lifteye)
Demolition package (boom, arm, bucket cylinder covers & HD travel hoses guard)	Performance package (HD travel motors, add. counterweight)
Fire extinguisher	Special applications kit
Hydraulic clamp	Travel motion alarm
Keyless ignition	TOPS/ROPS/FOPS cab with heater