

Weights

Operating weight with cab and bucket (ISO 6016)	2019 kg
Transport mass (no attachment)	1902 kg
Weight reduction with canopy	-81 kg
Additional weight for long dipperstick	6 kg
Additional weight for long blade	9 kg
Ground pressure with rubber tracks	31.10 kPa

Engine

Make / model	Kubota / D722-E4B-BCZ-7
Fuel	Diesel
Number of cylinders	3
Displacement	719 cm ³
Maximum power @ 2500 rpm (ISO 14396)	10.2 kW
Maximum torque (SAE)	43.5 Nm

Hydraulic System

Pump type	Dual piston pump with gear pump
Total hydraulic capacity	41.30 L/min
Piston pump capacity	30.00 L/min
Auxiliary flow	30.00 L/min
Auxiliary relief	180.0 bar

Performance

Digging force, dipperstick (ISO 6015)	10371 N
Digging force, long dipperstick (ISO 6015)	9279 N
Digging force, bucket (ISO 6015)	20835 N
Drawbar pull	19302 N
Travel speed, low range	2.1 km/h
Travel speed, high range	4.2 km/h

Slew System

Boom swing, left	80.0°
Boom swing, right	60.0°
Slew rate	8.4 RPM

Fluid Capacities

Cooling system	3.30 L
Engine lubrication plus oil filter	3.30 L
Fuel reservoir	19.00 L
Hydraulic reservoir	14.30 L
Hydraulic system	19.00 L

Environmental

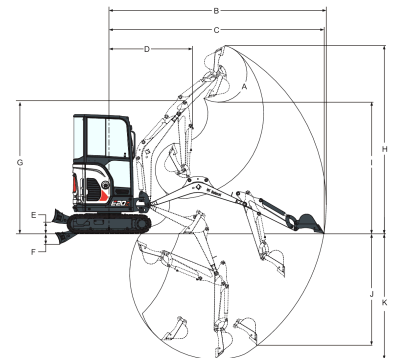
Noise level LpA(EU Directive 2006/42/EC)	82 dB(A)
Noise level LWA(EU Directive 2000/14/EC)	93 dB(A)
Whole body vibration (ISO 2631-1)	0.11 ms ⁻²
Hand-arm vibration (ISO 5349-1)	0.38 ms ⁻²

Standard Features

230 mm rubber track	Horn
980 mm dozer blade with two 190 mm blade extensions	Hydraulic and travel control lockout
Battery disconnect switch	Hydraulic joystick controls
Control console locks	Hydraulically retractable undercarriage from 1360 mm to 980 mm
Cupholders	Retractable seat belt
Double acting auxiliary hydraulics with quick couplers	TOPS/ROPS/FOPS canopy ¹
Engine monitor with auto shutdown	Two-speed travel
Foldable and ergonomic travel pedals	Upper structure four point tie down
Full fuel warning alarm	Water separator
Grease gun holder	Work light (boom)
Heavy counterweight	Warranty: 24 months, 2000 hours (whichever occurs first)

1. Roll Over Protective Structure (ROPS) – Meets requirements of ISO 3471. Tip Over Protective Structure (TOPS) – Meets requirements of ISO 12117. Falling Object Protective Structure (FOPS) – Meets requirements of ISO 3449.

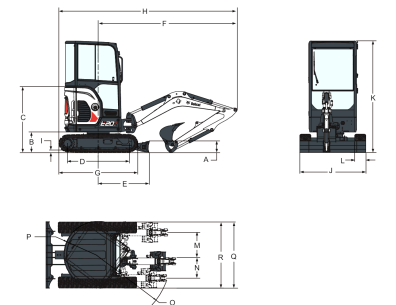
Working Range



Values marked with * - Long dipperstick

(A)	196.0°	(G)	2564.0 mm
(B)	4134.0 mm	(H)	3573.0 mm
(B*)	4307.0 mm	(H*)	3701.0 mm
(C)	4089.0 mm	(I)	2566.0 mm
(C*)	4264.0 mm	(I*)	2693.0 mm
(D)	1592.0 mm	(J)	1948.0 mm
(D*)	1611.0 mm	(J*)	2115.0 mm
(E)	220.0 mm	(K)	2385.0 mm
(F)	204.0 mm	(K*)	2565.0 mm

Dimensions



Values marked with * - Long dipperstick

(A)	235.0 mm	(J)	980.0 mm
(B)	419.0 mm	(J*)	1360.0 mm
(C)	1138.0 mm	(K)	2297.0 mm
(D)	1258.0 mm	(L)	230.0 mm
(E)	1045.0 mm	(M)	476.0 mm
(F)	2882.0 mm	(N)	638.0 mm
(G)	1620.0 mm	(O)	1190.0 mm
(H)	3688.0 mm	(P)	690.0 mm
(H*)	3669.0 mm	(Q)	1532.0 mm
(I)	25.0 mm	(R)	1370.0 mm

Options

1st AUX hydraulic on arm	Klacc C and MS01 couplers
2nd AUX hydraulics	LED lights set
Additional lights (2+1)	Left and right mirror
AM/FM MP3 stereo radio	Long dipperstick with clamp eyes
Beacon	Long dozer blade
Comfort package (Superior seat for canopy or cloth suspension seat for cab, Autospeed shift, Aux and Off-set pilot control)	Object handling device (safety valves + overload warning device + lifteye)
Demolition package (boom, arm, bucket cylinder covers & HD travel hoses guard)	Special applications kit
Fire extinguisher	Travel motion alarm
Hydraulic clamp	TOPS/ROPS/FOPS cab w/ heater
Keyless ignition	