

Weights

Operating weight	5930 kg
Additional weight for long dipperstick	23 kg

Engine

Make / model	Bobcat 2.4L, 97/68 EC Stage V, Turbocharged
Fuel	Diesel
Number of cylinders	4
Displacement	2392 cm ³
Maximum NET power (ISO 9249)	42.5 kW
Maximum NET torque (ISO 9249)	202.0 Nm

Hydraulic System

Pump type	Split engine-driven axial piston pump and two engine-driven gear pumps
Pump capacity	180.30 L/min
Auxiliary flow	52.50 L/min
System relief pressure for auxiliary circuits	226.00 bar
System relief pressure for auxiliary circuits	235.00 bar

Performance

Digging force, dipperstick (ISO 6015)	27459 N
Digging force, long dipperstick (ISO 6015)	24517 N
Digging force, bucket (ISO 6015)	41188 N
Drawbar pull	32362 N
Travel speed, low range	10.0 km/h
Travel speed, high range	30.0 km/h

Slew System

Boom swing, left	80.0°
Boom swing, right	50.0°
Slew rate	8.9 RPM

Fluid Capacities

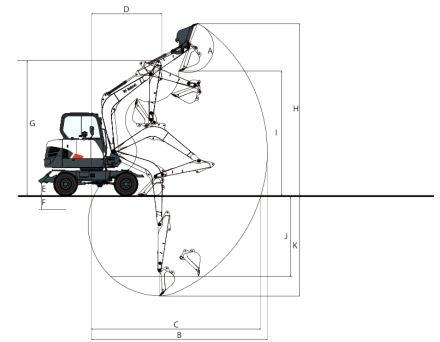
Cooling system	10.80 L
Engine lubrication plus oil filter	9.20 L
Fuel reservoir	118.00 L
Hydraulic reservoir	95.00 L
Hydraulic system	148.00 L

Environmental

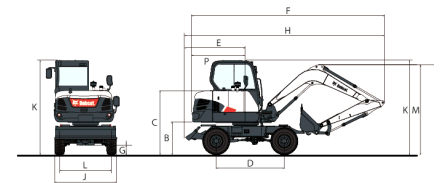
Noise level LpA(EU Directive 2006/42/EC)	74 dB(A)
Noise level LWA(EU Directive 2000/14/EC)	98 dB(A)
Whole body vibration (ISO 2631-1)	0.56 ms ⁻²
Hand-arm vibration (ISO 5349-1)	0.54 ms ⁻²

Standard Features

Auto-idle	Intermittent front window wiper
2-speed travel system	Rear window heated
Automatic travel speed	Joysticks and pedal with proportional control of auxiliary lines for attachments
3 power modes & 3 work modes	Jog shuttle switch
Breaker piping 2-ways	7" touch screen display
Boom and arm load holding valves	Electric horn
Overload warning device (OWD)	Cigarette lighter / USB port 5V/3A
Dozer blade safety valve	Ceiling light
AUX1 & AUX2 arm lines	Cup holder
Quick Coupler Piping (AUX5)	Storage compartments in the cab (document holder under seat, lockable storage box,...)
Lockable fuel cap and covers	Storage area for tools
ROPS (Roll Over Protective Structure) certified cab	Anti-theft protection
Heated, adjustable air suspension seat with adjustable headrest and armrest	12 V spare power socket
Forward/Backwards adjustable consoles	Rotating beacon
Adjustable tiltable steering column	Right and left rear-view mirrors
Air conditioning with climate control	Battery cut-off switch
Front window with sun roller blind and removable lower front window	Work lights (2 front frame, 1 front cab-mounted, 1 rear cab-mounted, 2 boom-mounted)
Sun visor on front window	Alternator (12 V, 90 A) - Battery (12 V, 100 Ah)
Sliding left & right window	

Working Range


(A)	180.0°	(G)	4686.0 mm
(B)	6108.0 mm	(H)	5976.0 mm
(C)	6400.0 mm	(I)	6170.0 mm
(D)	5888.0 mm	(J)	4324.0 mm
(E)	6190.0 mm	(K)	4510.0 mm
(F)	2448.0 mm		
	2464.0 mm		
	421.0 mm		
	202.0 mm		

Dimensions


(A)	500.0 mm	(J)	2290.0 mm
(B)	980.0 mm	(K)	2861.0 mm
(C)	1941.0 mm	(L)	1600.0 mm
(D)	2100.0 mm	(M)	1780.0 mm
(E)	1678.0 mm	(N)	3633.0 mm
(F)	5971.0 mm	(O)	3638.0 mm
(H)	6120.0 mm	(P)	1980.0 mm
(J)	1947.0 mm		

Options

Long dipperstick 1900mm	Rear view camera (KIT)
Twin tyres with 2290 mm dozer blade	Roof guard FOPS (KIT)
Third auxiliary hydraulic line (Clamshell Piping)	Coupler ready (KIT)