

Performance

Lifting height — on tyres	10290.0 mm
Rated capacity	3500 kg
Capacity (at max. height on tyres)	400 kg
Capacity (at max. reach on tyres)	600 kg
Max. reach on tyres	6886.0 mm

Weights

Weight (unladen)	7360 kg
------------------	---------

Traction

Standard tyres	SOLIDEAL 405/70-20 14PR
1st gear / low range	7.0 km/h
1st gear / high range	26.0 km/h

Drive System

Transmission	Hydrostatic with electronic regulation
Main drive	Hydrostatic motor

Engine

Make / Model	Bobcat D34
Fuel	Diesel
Cooling	Coolant
Rated power (ISO 14396:2002) at 2400 RPM	100.0 HP
Rated power (ISO 14396:2002) at 2400 RPM	74.5 kW
Maximum torque at 1400 RPM	430.0 Nm
Number of cylinders	4
Displacement	3.40 L

*Stage IIIB Bobcat D34 also available in 55kW/75HP version (without SCR/Ad-Blue after-treatment)

Hydraulic System

Pump type	Gear pump with LS valve
Pump capacity	100.00 L/min
Relief valve pressure setting	250.00 bar

Cycle Times

Lift time - no load	11.0 s
Lower time - no load	6.0 s
Telescope in time at max. reach - no load	7.0 s
Telescope in time at max. height - no load	7.0 s
Telescope out time at max. reach - no load	11.5 s
Telescope out time at max. height - no load	11.5 s

Brakes

Engine braking	Hydrostatic
Parking and emergency brake	Passive brake

Fluid Capacities

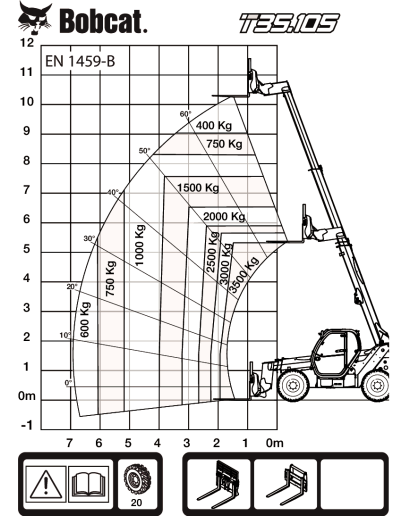
Fuel tank	130.00 L
Hydraulic reservoir	71.00 L

Environmental

Operator noise level (LpA) (EN 12053)	76 dB(A)
Level of acoustic power (LWA)	106 dB(A)
Whole body vibration (EN 13059)	0.90 ms ⁻²

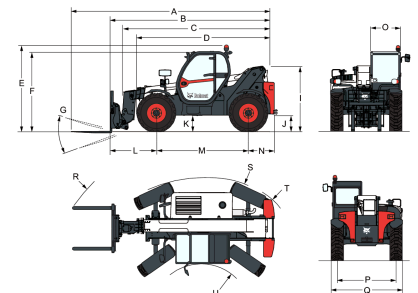
Load Charts

With forks and standard 405/70x20 tyres



98843 G7

7294010

Dimensions


(-)	857.0 mm	(L)	1422.0 mm
(A)	6276.0 mm	(M)	2850.0 mm
(B)	5071.0 mm	(N)	799.0 mm
(C)	4936.0 mm	(O)	930.0 mm
(D)	4192.0 mm	(P)	1862.0 mm
(E)	2584.0 mm	(Q)	2264.0 mm
(F)	2445.0 mm	(R)	5025.0 mm
(G)	143.0°	(S)	5116.0 mm
(I)	1941.0 mm	(T)	3765.0 mm
(J)	415.0 mm	(U)	1245.0 mm