

Performance

Lifting height — on tyres	10290.0 mm
Rated capacity	3500 kg
Capacity (at max. height on tyres)	400 kg
Capacity (at max. reach on tyres)	600 kg
Max. reach on tyres	6886.0 mm

Weights

Weight (unladen)	7270 kg
------------------	---------

Traction

Standard tyres	SOLIDEAL 405/70-20 14PR
1st gear / low range	4.2 km/h
1st gear / high range	20.5 km/h

Drive System

Transmission	Hydrostatic with electronic regulation
Main drive	Hydrostatic motor

Engine

Make / Model	Bobcat D34
Fuel	Diesel
Cooling	Coolant
Rated power (ISO 14396)	75.0 HP
Rated power (ISO 14396)	55.3 kW
Maximum torque at 1400 RPM	360.0 Nm
Number of cylinders	4
Displacement	3.40 L

Hydraulic System

Pump type	Gear pump with LS valve
Pump capacity	80.00 L/min
Relief valve pressure setting	250.00 bar

Cycle Times

Lift time - no load	12.5 s
Lower time - no load	7.0 s
Telescope in time at max. reach - no load	7.0 s
Telescope in time at max. height - no load	7.0 s
Telescope out time at max. reach - no load	13.0 s
Telescope out time at max. height - no load	13.0 s

Brakes

Engine braking	Hydrostatic
Parking and emergency brake	Passive brake

Fluid Capacities

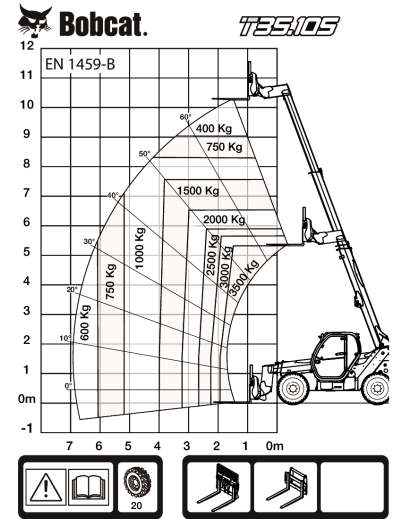
Fuel tank	130.00 L
Hydraulic reservoir	71.00 L

Environmental

Operator noise level (LpA) (EN 12053)	75 dB(A)
Operator noise level (LpA) (EN 12053) uncertainty	4 dB(A)
Level of acoustic power (LWA)	104 dB(A)
Whole body vibration (EN 13059)	1.30 ms ⁻²

Load Charts

With forks and standard 405/70x20 tyres



98843 G7

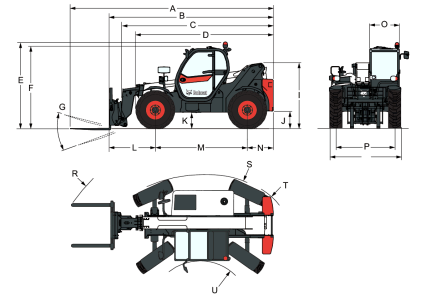
7294010

Options

Air conditioning	Remote control system with on-board charger
Boom stop	Boom wiring harness and electric connectors
Custom colour	Boom wiring harness and electric connectors
Fire extinguisher	Keyless ignition (start/stop with keypad)
Forward/Reverse control on Steering Wheel Lever (no longer on joystick)	Standard engine ignition (with key) with additional keypad security
Lockable fuel cap	High comfort air suspension seat
Loudspeaker & radio ready	Rotating tow hitch (including rear electric socket)
PVC Document holder	Basic option tyres - set of 4 x 400/80-24"
Pintle tow hitch (including rear electric socket)	Basic tow hitch
Protective grill for windshield (front and roof)	Michelin tyres - set of 4 x 400/80-24" 162A8 IND TL
Rear Flat Mirror	POWER CL
Roof window wiper	Pallet forks 1200mm length / Floating / 1,44m carriage / Forks included / Backrest included / For Quicktach tool carrier
Sun visor	Pallet forks 1200mm length / Rigid frame / Forks included / Backrest included / For Quicktach tool carrier
Support for vehicle registration plate	Dunlop tyres - set of 4 x 405/70-20" SPT9 MPT (SEMI INDUSTRIAL)
Wheel wedge	Dunlop tyres - set of 4 x 405/70-24" SPT9 MPT (SEMI INDUSTRIAL)
Work lights on boom	Fan inverter with manual and auto modes
	Quicktach carriage with hydraulic attachment lock (boom wiring harness mandatory)

T35.105 75 V | Telescopic Specifications

Dimensions



(-)	857.0 mm	(L)	1422.0 mm
(A)	6276.0 mm	(M)	2850.0 mm
(B)	5071.0 mm	(N)	799.0 mm
(C)	4936.0 mm	(O)	930.0 mm
(D)	4192.0 mm	(P)	1862.0 mm
(E)	2584.0 mm	(Q)	2264.0 mm
(F)	2445.0 mm	(R)	5025.0 mm
(G)	143.0°	(R)	5116.0 mm
(I)	1941.0 mm	(S)	3765.0 mm
(J)	415.0 mm	(U)	1245.0 mm