

**Performance**

Lifting height — on tyres	10290.0 mm
Rated capacity	3500 kg
Capacity (at max. height on tyres)	2500 kg
Capacity (at max. reach on tyres)	600 kg
Max. reach on tyres	6886.0 mm

**Weights**

Weight (unladen)	7360 kg
------------------	---------

**Traction**

Standard tyres	SOLIDEAL 405/70-20 14PR
1st gear / low range	7.0 km/h
1st gear / high range	26.0 km/h

**Drive System**

Transmission	Hydrostatic with electronic regulation
Main drive	Hydrostatic motor

**Engine**

Make / Model	Bobcat D34
Fuel	Diesel
Cooling	Coolant
Rated power (ISO 14396:2002) at 2400 RPM	100.0 HP
Rated power (ISO 14396:2002) at 2200 RPM	74.5 kW
Maximum torque at 1400 RPM	430.0 Nm
Number of cylinders	4
Displacement	3.40 L

\*Stage IIIB Bobcat D34 also available in 55kW/75HP version (without SCR/Ad-Blue after-treatment)

**Hydraulic System**

Pump type	Gear pump with LS valve
Pump capacity	100.00 L/min
Relief valve pressure setting	250.00 bar

**Cycle Times**

Lift time - no load	11.0 s
Lower time - no load	6.0 s
Telescope in time at max. reach - no load	7.0 s
Telescope in time at max. height - no load	7.0 s
Telescope out time at max. reach - no load	11.5 s
Telescope out time at max. height - no load	11.5 s

**Brakes**

Engine braking	Hydrostatic
Parking and emergency brake	Passive brake

**Fluid Capacities**

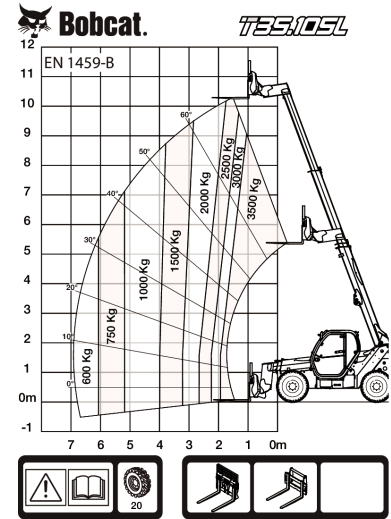
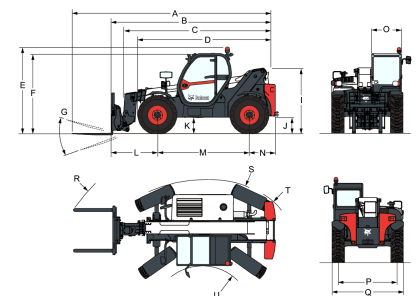
Fuel tank	130.00 L
Hydraulic reservoir	71.00 L

**Environmental**

Operator noise level (LpA) (EN 12053)	76 dB(A)
Level of acoustic power (LWA)	106 dB(A)
Whole body vibration (EN 13059)	0.90 ms <sup>-2</sup>

**Load Charts**

With forks and standard 405/70x20 tyres


**Dimensions**


(-)	857.0 mm	(L)	1422.0 mm
(A)	6276.0 mm	(M)	2850.0 mm
(B)	5071.0 mm	(N)	799.0 mm
(C)	4936.0 mm	(O)	930.0 mm
(D)	4192.0 mm	(P)	1862.0 mm
(E)	2584.0 mm	(Q)	2264.0 mm
(F)	2445.0 mm	(R)	5025.0 mm
(G)	143.0°	(S)	5116.0 mm
(I)	1941.0 mm	(T)	3765.0 mm
(J)	415.0 mm	(U)	1245.0 mm