

Performance

Lifting height — on stabilisers	12468.0 mm
Lifting height — on tyres	12242.0 mm
Rated capacity	3500 kg
Capacity (at max. height on stabilisers)	3500 kg
Capacity (at max. height on tyres)	3000 kg
Capacity (at max. reach on stabilisers)	1300 kg
Capacity (at max. reach on tyres)	400 kg
Max. reach on tyres	8764.0 mm

Weights

Weight (unladen)	8810 kg
------------------	---------

Traction

Standard tyres	SOLIDEAL 405/70-20 16PR
1st gear / low range	7.0 km/h
1st gear / high range	26.0 km/h

Drive System

Transmission	Hydrostatic with electronic regulation
Main drive	Hydrostatic motor

Engine

Make / Model	Perkins / 1104D-44TA
Fuel	Diesel
Cooling	Water
Rated power (ISO 14396)	100.0 HP
Rated power (ISO 14396)	74.5 kW
Maximum torque at 1400 RPM	410.0 Nm
Number of cylinders	4
Displacement	4.40 L

Hydraulic System

Pump type	Gear pump with LS valve
Pump capacity	100.00 L/min
Relief valve pressure setting	250.00 bar

Cycle Times

Lift time - no load	14.0 s
Lower time - no load	8.5 s
Telescope in time at max. reach - no load	11.5 s
Telescope in time at max. height - no load	10.5 s
Telescope out time at max. reach - no load	18.0 s
Telescope out time at max. height - no load	18.0 s

Brakes

Engine braking	Hydrostatic
Parking and emergency brake	Passive brake

Fluid Capacities

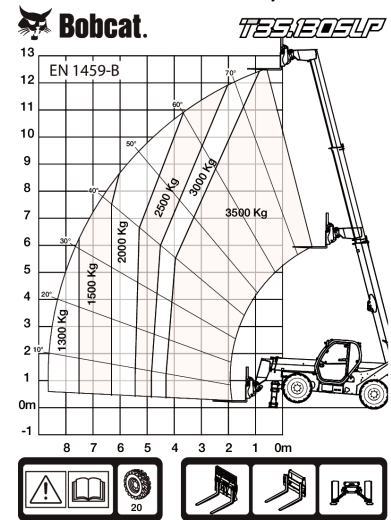
Fuel tank	145.00 L
Hydraulic reservoir	76.00 L

Environmental

Whole body vibration (EN 13059)	1.40 ms ⁻²
---------------------------------	-----------------------

Load Charts

With forks and standard 405/70x20 tyres, on stabilizers



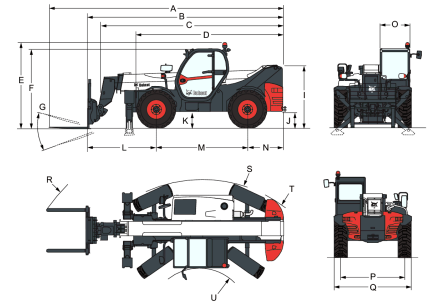
98727 G7

7288762

Options

Air conditioning	Basic tow hitch
Boom stop	Boom wiring harness and electric connectors
Custom colour	Dunlop tyres - set of 4 x 405/70-24" SPT9 MPT (SEMI INDUSTRIAL)
Fire extinguisher	High comfort air suspension seat
Forward/Reverse control on Steering Wheel Lever (no longer on joystick)	Keyless ignition (start/stop with keypad)
Lockable fuel cap	Manitou carriage with manual attachment lock
Loudspeaker & radio ready	Manitou carriage with hydraulic attachment lock (boom wiring harness mandatory)
PVC Document holder	Michelin tyres - set of 4 x 400/80-24" 162A8 IND TL POWER CL
Protective grill for windshield (front and roof)	Pallet forks 1200mm length / Rigid frame / Forks included
Rear Flat Mirror	/ Backrest included / For Quicktach tool carrier
Roof window wiper	Pallet forks 1200mm length / Floating / 1,44m carriage
Sun visor	/ Forks included / Backrest included / For Quicktach tool carrier
Support for vehicle registration plate	Quicktach carriage with hydraulic attachment lock (boom wiring harness mandatory)
Wheel wedge	Rotating tow hitch (including rear electric socket)
Work lights on boom	Standard engine ignition (with key) with additional keypad security
Proportional engine fan with inverter	Pallet forks 1200mm length / Floating / 1,12m carriage
Remote control system with on-board charger	/ Forks included / Backrest included / For Manitach tool carrier
Basic option tyres - set of 4 x 400/80-24"	Pallet forks 1200mm length / Floating / 1,44m carriage
	/ Forks included / Backrest included / For Manitach tool carrier
	Pallet forks 1200mm length / Rigid frame / Forks included

/ Backrest included / For
Manitach tool carrier
Cold start
Cyclonic air prefilter

Dimensions


(-)	857.0 mm	(L)	1919.0 mm
(A)	7081.0 mm	(M)	2850.0 mm
(B)	5876.0 mm	(N)	1107.0 mm
(C)	5541.0 mm	(O)	930.0 mm
(D)	4497.0 mm	(P)	1992.0 mm
(E)	2586.0 mm	(Q)	2418.0 mm
(F)	2449.0 mm	(R)	5696.0 mm
(G)	124.0°	(S)	4150.0 mm
(I)	1869.0 mm	(U)	1519.0 mm
(J)	422.0 mm		