

**Performance**

Lifting height — on stabilisers	12468.0 mm
Lifting height — on tyres	12242.0 mm
Rated capacity	3500 kg
Capacity (at max. height on stabilisers)	3500 kg
Capacity (at max. height on tyres)	3000 kg
Capacity (at max. reach on stabilisers)	1300 kg
Capacity (at max. reach on tyres)	400 kg
Max. reach on tyres	8764.0 mm

**Weights**

Weight (unladen)	8810 kg
------------------	---------

**Traction**

Standard tyres	SOLIDEAL 405/70-20 16PR
1st gear / low range	4.2 km/h
1st gear / high range	20.5 km/h

**Drive System**

Transmission	Hydrostatic with electronic regulation
Main drive	Hydrostatic motor

**Engine**

Make / Model	Bobcat D34
Fuel	Diesel
Cooling	Coolant
Rated power (ISO 14396)	75.0 HP
Rated power (ISO 14396)	55.3 kW
Maximum torque at 1400 RPM	360.0 Nm
Number of cylinders	4
Displacement	3.40 L

**Hydraulic System**

Pump type	Gear pump with LS valve
Pump capacity	80.00 L/min
Relief valve pressure setting	250.00 bar

**Cycle Times**

Lift time - no load	16.0 s
Lower time - no load	10.0 s
Telescope in time at max. reach - no load	12.0 s
Telescope in time at max. height - no load	11.0 s
Telescope out time at max. reach - no load	21.0 s
Telescope out time at max. height - no load	21.0 s

**Brakes**

Engine braking	Hydrostatic
Parking and emergency brake	Passive brake

**Fluid Capacities**

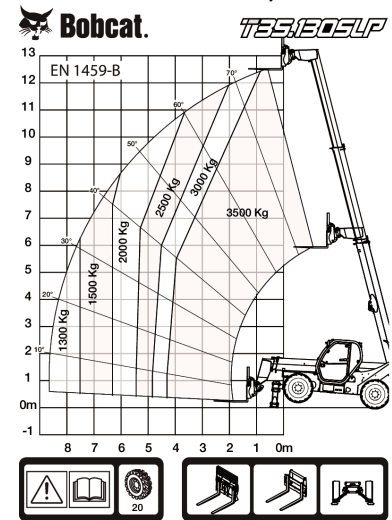
Fuel tank	145.00 L
Hydraulic reservoir	76.00 L

**Environmental**

Operator noise level (LpA) (EN 12053)	75 dB(A)
Operator noise level (LpA) (EN 12053) uncertainty	4 dB(A)
Level of acoustic power (LWA)	104 dB(A)
Whole body vibration (EN 13059)	0.90 ms <sup>-2</sup>

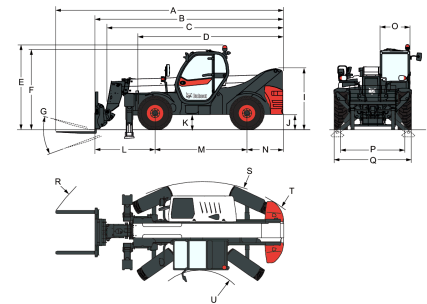
**Load Charts**

With forks and standard 405/70x20 tyres, on stabilisers


**Options**

Air conditioning	Remote control system with on-board charger
Boom stop	Basic option tyres - set of 4 x 400/80-24"
Custom colour	Basic tow hitch
Drawbar coupler tow hitch with rear electric socket	Boom wiring harness and electric connectors
Fire extinguisher	Dunlop tyres - set of 4 x 405/70-24" SPT9 MPT (SEMI INDUSTRIAL)
Forward/Reverse control on Steering Wheel Lever (no longer on joystick)	High comfort air suspension seat
Lockable fuel cap	Keyless ignition (start/stop with keypad)
Loudspeaker & radio ready	Manitou carriage with manual attachment lock
PVC Document holder	Manitou carriage with hydraulic attachment lock (boom wiring harness mandatory)
Pintle tow hitch (including rear electric socket)	Michelin tyres - set of 4 x 400/80-24" 162A8 IND TL
Protective grill for windshield (front and roof)	POWER CL
Rear Flat Mirror	Pallet forks 1200mm length / Rigid frame / Forks included / Backrest included / For Quicktach tool carrier
Roof window wiper	Pallet forks 1200mm length / Floating / 1,44m carriage / Forks included / Backrest included / For Quicktach tool carrier
Sun visor	Quicktach carriage with hydraulic attachment lock (boom wiring harness mandatory)
Support for vehicle registration plate	Rotating tow hitch (including rear electric socket)
Wheel wedge	Standard engine ignition (with key) with additional keypad security
Work lights on boom	Pallet forks 1200mm length / Floating / 1,12m carriage / Forks included / Backrest included / For Manitach tool carrier
Proportional engine fan with inverter	Pallet forks 1200mm length / Floating / 1,44m carriage / Forks included / Backrest included / For Manitach tool carrier

Pallet forks 1200mm length /  
Rigid frame / Forks included  
/ Backrest included / For  
Manitach tool carrier

**Dimensions**


(-)	857.0 mm	(L)	1919.0 mm
(A)	7081.0 mm	(M)	2850.0 mm
(B)	5876.0 mm	(N)	1107.0 mm
(C)	5541.0 mm	(O)	930.0 mm
(D)	4497.0 mm	(P)	1992.0 mm
(E)	2586.0 mm	(Q)	2418.0 mm
(F)	2449.0 mm	(R)	5696.0 mm
(G)	124.0°	(S)	4150.0 mm
(I)	1869.0 mm	(U)	1519.0 mm
(J)	422.0 mm		