

**Performance**

Lifting height — on stabilisers	13656.0 mm
Lifting height — on tyres	12794.0 mm
Rated capacity	3500 kg
Capacity (at max. height on stabilisers)	3500 kg
Capacity (at max. height on tyres)	500 kg
Capacity (at max. reach on stabilisers)	1000 kg
Capacity (at max. reach on tyres)	150 kg
Max. reach on tyres	9449.0 mm

**Weights**

Weight (unladen)	9200 kg
------------------	---------

**Traction**

Standard tyres	SOLIDEAL 400/80-24 20PR
1st gear / low range	8.5 km/h
1st gear / high range	30.0 km/h

**Drive System**

Transmission	Hydrostatic with electronic regulation
Main drive	Hydrostatic motor

**Engine**

Make / Model	Perkins / 1104D-44TA
Fuel	Diesel
Cooling	Water
Rated power (ISO 14396)	100.0 HP
Rated power (ISO 14396)	74.5 kW
Maximum torque at 1400 RPM	410.0 Nm
Number of cylinders	4
Displacement	4.40 L

**Hydraulic System**

Pump type	Gear pump with LS valve
Pump capacity	100.00 L/min
Relief valve pressure setting	250.00 bar

**Cycle Times**

Lift time - no load	14.0 s
Lower time - no load	8.5 s
Telescope in time at max. reach - no load	13.0 s
Telescope in time at max. height - no load	11.5 s
Telescope out time at max. reach - no load	20.5 s
Telescope out time at max. height - no load	20.5 s

**Brakes**

Engine braking	Hydrostatic
Parking and emergency brake	Passive brake

**Fluid Capacities**

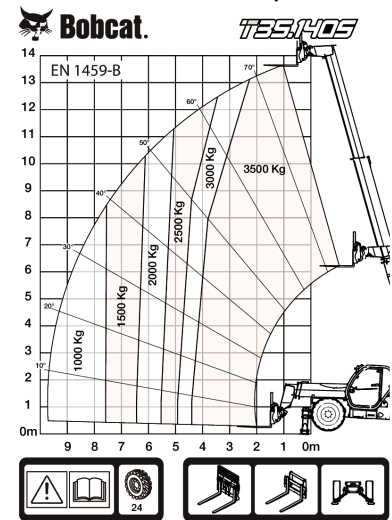
Fuel tank	145.00 L
Hydraulic reservoir	76.00 L

**Environmental**

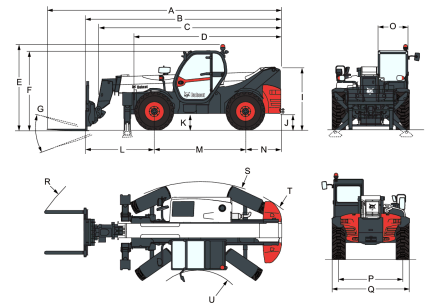
Level of acoustic power (LWA)	106 dB(A)
-------------------------------	-----------

**Load Charts**

With forks and standard 400/80x24 tyres, on stabilisers


**Options**

Air conditioning	Basic tow hitch
Boom stop	Boom wiring harness and electric connectors
Custom colour	High comfort air suspension seat
Fire extinguisher	Keyless ignition (start/stop with keypad)
Forward/Reverse control on Steering Wheel Lever (no longer on joystick)	Manitou carriage with manual attachment lock
Lockable fuel cap	Manitou carriage with hydraulic attachment lock (boom wiring harness mandatory)
Loudspeaker & radio ready	Michelin tyres - set of 4 x 400/80-24" 162A8 IND TL POWER CL
PVC Document holder	Pallet forks 1200mm length / Rigid frame / Forks included / Backrest included / For Quicktach tool carrier
Protective grill for windshield (front and roof)	Quicktach tool carrier
Rear Flat Mirror	Pallet forks 1200mm length / Floating / 1,44m carriage / Forks included / Backrest included / For Quicktach tool carrier
Roof window wiper	Quicktach carriage with hydraulic attachment lock (boom wiring harness mandatory)
Sun visor	Rotating tow hitch (including rear electric socket)
Support for vehicle registration plate	Standard engine ignition (with key) with additional keypad security
Wheel wedge	Pallet forks 1200mm length / Floating / 1,12m carriage / Forks included / Backrest included / For Manitach tool carrier
Work lights on boom	Pallet forks 1200mm length / Floating / 1,44m carriage / Forks included / Backrest included / For Manitach tool carrier
Proportional engine fan with inverter	Pallet forks 1200mm length / Rigid frame / Forks included / Backrest included / For Manitach tool carrier
Remote control system with on-board charger	Cold start
	Cyclonic air prefilter

**Dimensions**


(-)	857.0 mm	(L)	2151.0 mm
(A)	7313.0 mm	(M)	2850.0 mm
(B)	6108.0 mm	(N)	1107.0 mm
(C)	5709.0 mm	(O)	930.0 mm
(D)	4573.0 mm	(P)	1992.0 mm
(E)	2673.0 mm	(Q)	2418.0 mm
(F)	2536.0 mm	(R)	5640.0 mm
(G)	124.0°	(S)	4150.0 mm
(I)	1956.0 mm	(U)	1519.0 mm
(J)	509.0 mm		