

**Performance**

|  |            |
|--|------------|
| Lifting height — on stabilisers          | 13656.0 mm |
| Lifting height — on tyres (65°)          | 12794.0 mm |
| Rated capacity                           | 3500 kg    |
| Capacity (at max. height on stabilisers) | 3500 kg    |
| Capacity (at max. height on tyres)       | 500 kg     |
| Capacity (at max. reach on stabilisers)  | 1000 kg    |
| Capacity (at max. reach on tyres)        | 150 kg     |
| Max. reach on tyres                      | 9449.0 mm  |

**Weights**

|                  |         |
|------------------|---------|
| Weight (unladen) | 9330 kg |
|------------------|---------|

**Traction**

|                       |                         |
|-----------------------|-------------------------|
| Standard tyres        | SOLIDEAL 400/80-24 20PR |
| 1st gear / low range  | 8.5 km/h                |
| 1st gear / high range | 30.0 km/h               |

**Drive System**

|              |  |
|--------------|--|
| Transmission | Hydrostatic with electronic regulation |
| Main drive   | Hydrostatic motor                      |

**Engine**

|  |            |
|--|------------|
| Make / Model                             | Bobcat D34 |
| Fuel                                     | Diesel     |
| Cooling                                  | Coolant    |
| Rated power (ISO 14396:2002) at 2400 RPM | 100.0 HP   |
| Rated power (ISO 14396:2002) at 2400 RPM | 74.5 kW    |
| Maximum torque at 1400 RPM               | 430.0 Nm   |
| Number of cylinders                      | 4          |
| Displacement                             | 3.40 L     |

\*Stage IIIB Bobcat D34 also available in 55kW/75HP version (without SCR/Ad-Blue after-treatment)

**Hydraulic System**

|                               |                         |
|-------------------------------|-------------------------|
| Pump type                     | Gear pump with LS valve |
| Pump capacity                 | 100.00 L/min            |
| Relief valve pressure setting | 250.00 bar              |

**Cycle Times**

|   |        |
|---|--------|
| Lift time - no load                         | 14.0 s |
| Lower time - no load                        | 8.5 s  |
| Telescope in time at max. reach - no load   | 13.0 s |
| Telescope in time at max. height - no load  | 11.5 s |
| Telescope out time at max. reach - no load  | 20.5 s |
| Telescope out time at max. height - no load | 20.5 s |

**Brakes**

|                             |               |
|-----------------------------|---------------|
| Engine braking              | Hydrostatic   |
| Parking and emergency brake | Passive brake |

**Fluid Capacities**

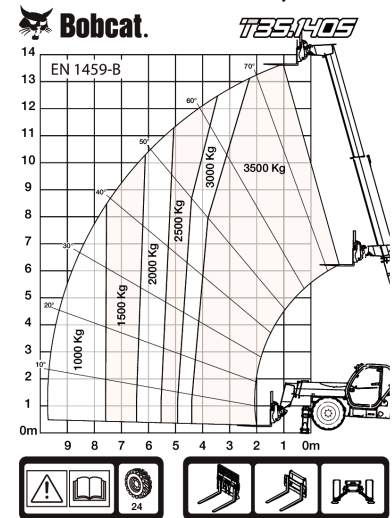
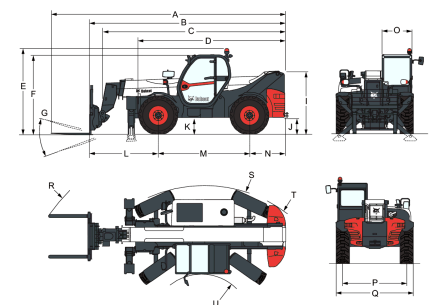
|                     |          |
|---------------------|----------|
| Fuel tank           | 145.00 L |
| Hydraulic reservoir | 76.00 L  |

**Environmental**

|                                       |                       |
|---------------------------------------|-----------------------|
| Operator noise level (LpA) (EN 12053) | 78 dB(A)              |
| Level of acoustic power (LWA)         | 106 dB(A)             |
| Whole body vibration (EN 13059)       | 1.20 ms <sup>-2</sup> |

**Load Charts**

With forks and standard 400/80x24 tyres, on stabilisers


**Dimensions**


|               |               |
|---------------|---------------|
| (-) 857.0 mm  | (L) 2151.0 mm |
| (A) 7313.0 mm | (M) 2850.0 mm |
| (B) 6108.0 mm | (N) 1107.0 mm |
| (C) 5709.0 mm | (O) 930.0 mm  |
| (D) 4573.0 mm | (P) 1992.0 mm |
| (E) 2673.0 mm | (Q) 2418.0 mm |
| (F) 2536.0 mm | (R) 5640.0 mm |
| (G) 124.0°    | (S) 4150.0 mm |
| (I) 1956.0 mm | (U) 1519.0 mm |
| (J) 509.0 mm  |               |