

Performance

Lifting height — on stabilisers	13656.0 mm
Lifting height — on tyres	12794.0 mm
Rated capacity	3500 kg
Capacity (at max. height on stabilisers)	3500 kg
Capacity (at max. height on tyres)	500 kg
Capacity (at max. reach on stabilisers)	1000 kg
Capacity (at max. reach on tyres)	150 kg
Max. reach on tyres	9449.0 mm

Weights

Weight (unladen)	9170 kg
------------------	---------

Traction

Standard tyres	SOLIDEAL 400/80-24 20PR
1st gear / low range	4.8 km/h
1st gear / high range	24.0 km/h

Drive System

Transmission	Hydrostatic with electronic regulation
Main drive	Hydrostatic motor

Engine

Make / Model	Bobcat D34
Fuel	Diesel
Cooling	Coolant
Rated power (ISO 14396)	75.0 HP
Rated power (ISO 14396)	55.3 kW
Maximum torque at 1400 RPM	360.0 Nm
Number of cylinders	4
Displacement	3.40 L

Hydraulic System

Pump type	Gear pump with LS valve
Pump capacity	80.00 L/min
Relief valve pressure setting	250.00 bar

Cycle Times

Lift time - no load	16.0 s
Lower time - no load	10.0 s
Telescope in time at max. reach - no load	13.5 s
Telescope in time at max. height - no load	12.5 s
Telescope out time at max. reach - no load	23.5 s
Telescope out time at max. height - no load	23.5 s

Brakes

Engine braking	Hydrostatic
Parking and emergency brake	Passive brake

Fluid Capacities

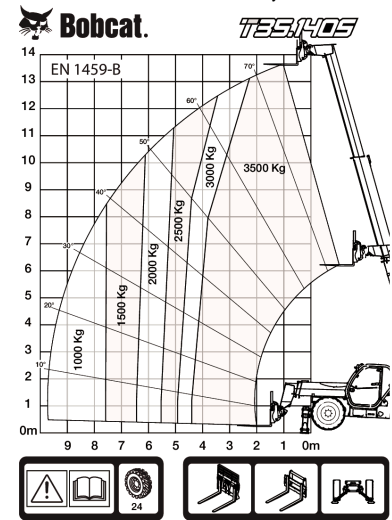
Fuel tank	145.00 L
Hydraulic reservoir	76.00 L

Environmental

Operator noise level (LpA) (EN 12053)	75 dB(A)
Operator noise level (LpA) (EN 12053) uncertainty	4 dB(A)
Level of acoustic power (LWA)	104 dB(A)
Whole body vibration (EN 13059)	1.20 ms ⁻²

Load Charts

With forks and standard 400/80x24 tyres, on stabilisers

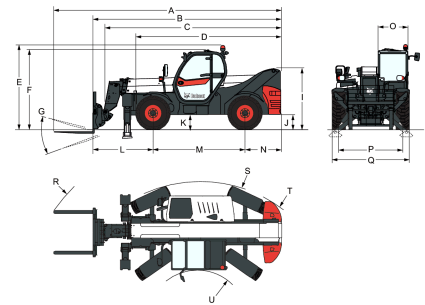


98427 G7

7286680

Options

Air conditioning	Remote control system with on-board charger
Boom stop	Basic tow hitch
Custom colour	Boom wiring harness and electric connectors
Fire extinguisher	High comfort air suspension seat
Forward/Reverse control on Steering Wheel Lever (no longer on joystick)	Keyless ignition (start/stop with keypad)
Lockable fuel cap	Manitou carriage with manual attachment lock
Loudspeaker & radio ready	Manitou carriage with hydraulic attachment lock (boom wiring harness mandatory)
PVC Document holder	Michelin tyres - set of 4 x 400/80-24" 162A8 IND TL
Pintle tow hitch (including rear electric socket)	POWER CL
Protective grill for windshield (front and roof)	Pallet forks 1200mm length / Rigid frame / Forks included / Backrest included / For Quicktach tool carrier
Rear Flat Mirror	Pallet forks 1200mm length / Floating / 1,44m carriage / Forks included / Backrest included / For Quicktach tool carrier
Roof window wiper	Quicktach carriage with hydraulic attachment lock (boom wiring harness mandatory)
Sun visor	Rotating tow hitch (including rear electric socket)
Support for vehicle registration plate	Standard engine ignition (with key) with additional keypad security
Wheel wedge	Pallet forks 1200mm length / Floating / 1,12m carriage / Forks included / Backrest included / For Manitach tool carrier
Work lights on boom	Pallet forks 1200mm length / Floating / 1,44m carriage / Forks included / Backrest included / For Manitach tool carrier
Proportional engine fan with inverter	Pallet forks 1200mm length / Rigid frame / Forks included / Backrest included / For Manitach tool carrier

Dimensions


(-)	857.0 mm	(L)	2151.0 mm
(A)	7313.0 mm	(M)	2850.0 mm
(B)	6108.0 mm	(N)	1107.0 mm
(C)	5709.0 mm	(O)	930.0 mm
(D)	4573.0 mm	(P)	1992.0 mm
(E)	2673.0 mm	(Q)	2418.0 mm
(F)	2536.0 mm	(R)	5640.0 mm
(G)	124.0°	(S)	4150.0 mm
(I)	1956.0 mm	(U)	1519.0 mm
(J)	509.0 mm		