

Performance

Lifting height — on stabilisers	11852.0 mm
Lifting height — on tyres	11529.0 mm
Rated capacity	3600 kg
Capacity (at max. height on stabilisers)	3200 kg
Capacity (at max. height on tyres)	2300 kg
Capacity (at max. reach on stabilisers)	1200 kg
Capacity (at max. reach on tyres)	350 kg
Max. reach on tyres	8193.0 mm

Weights

Weight (unladen)	8330 kg
------------------	---------

Traction

Standard tyres	SOLIDEAL 405/70-20 16PR
1st gear / low range	7.0 km/h
1st gear / high range	26.0 km/h

Drive System

Transmission	Hydrostatic with electronic regulation
Main drive	Hydrostatic motor

Engine

Make / Model	Bobcat D34
Fuel	Diesel
Cooling	Coolant
Rated power (ISO 14396:2002) at 2400 RPM	100.0 HP
Rated power (ISO 14396:2002) at 2400 RPM	74.5 kW
Maximum torque at 1400 RPM	430.0 Nm
Number of cylinders	4
Displacement	3.40 L

*Stage IIIB Bobcat D34 also available in 55kW/75HP version (without SCR/Ad-Blue after-treatment)

Hydraulic System

Pump type	Gear pump with LS valve
Pump capacity	100.00 L/min
Relief valve pressure setting	250.00 bar

Cycle Times

Lift time - no load	11.0 s
Lower time - no load	6.0 s
Telescope in time at max. reach - no load	8.0 s
Telescope in time at max. height - no load	8.0 s
Telescope out time at max. reach - no load	13.5 s
Telescope out time at max. height - no load	13.5 s

Brakes

Engine braking	Hydrostatic
Parking and emergency brake	Passive brake

Fluid Capacities

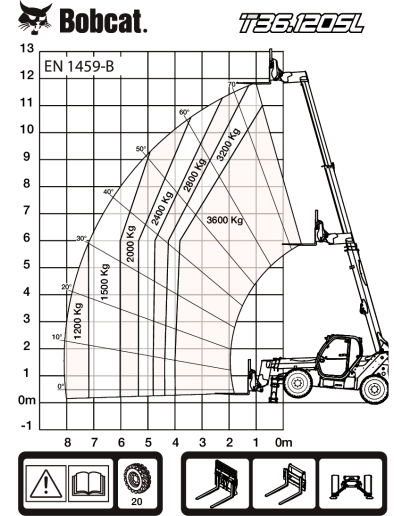
Fuel tank	145.00 L
Hydraulic reservoir	71.00 L

Environmental

Operator noise level (LpA) (EN 12053)	76 dB(A)
Level of acoustic power (LWA)	106 dB(A)
Whole body vibration (EN 13059)	0.90 ms ⁻²

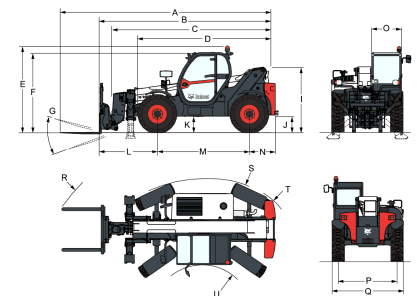
Load Charts

With forks and standard 405/70x20 tyres, on stabilisers



98889 G7

7294193

Dimensions


(-) 857.0 mm	(L) 1793.0 mm
(A) 6647.0 mm	(M) 2850.0 mm
(B) 5442.0 mm	(N) 799.0 mm
(C) 5287.0 mm	(O) 930.0 mm
(D) 4192.0 mm	(P) 1862.0 mm
(E) 2584.0 mm	(Q) 2264.0 mm
(F) 2445.0 mm	(R) 5341.0 mm
(G) 143.0°	(R) 5429.0 mm
(I) 1941.0 mm	(S) 3765.0 mm
(J) 415.0 mm	(U) 1245.0 mm