

Performance

Lifting height — on stabilisers	11852.0 mm
Lifting height — on tyres	11529.0 mm
Rated capacity	3600 kg
Capacity (at max. height on stabilisers)	3200 kg
Capacity (at max. height on tyres)	2300 kg
Capacity (at max. reach on stabilisers)	1200 kg
Capacity (at max. reach on tyres)	350 kg
Max. reach on tyres	8193.0 mm

Weights

Weight (unladen)	8170 kg
------------------	---------

Traction

Standard tyres	SOLIDEAL 405/70-20 16PR
1st gear / low range	4.2 km/h
1st gear / high range	20.5 km/h

Drive System

Transmission	Hydrostatic with electronic regulation
Main drive	Hydrostatic motor

Engine

Make / Model	Bobcat D34
Fuel	Diesel
Cooling	Coolant
Rated power (ISO 14396)	75.0 HP
Rated power (ISO 14396)	55.3 kW
Maximum torque at 1400 RPM	360.0 Nm
Number of cylinders	4
Displacement	3.40 L

Hydraulic System

Pump type	Gear pump with LS valve
Pump capacity	80.00 L/min
Relief valve pressure setting	250.00 bar

Cycle Times

Lift time - no load	12.5 s
Lower time - no load	7.0 s
Telescope in time at max. reach - no load	8.0 s
Telescope in time at max. height - no load	8.0 s
Telescope out time at max. reach - no load	15.5 s
Telescope out time at max. height - no load	15.5 s

Brakes

Engine braking	Hydrostatic
Parking and emergency brake	Passive brake

Fluid Capacities

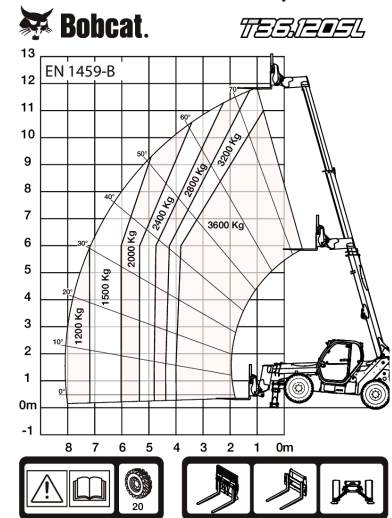
Fuel tank	145.00 L
Hydraulic reservoir	71.00 L

Environmental

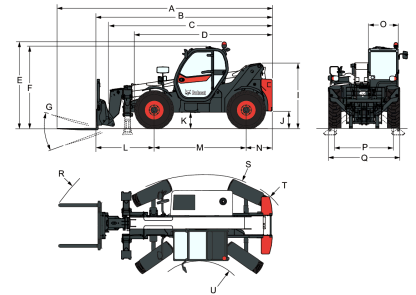
Operator noise level (LpA) (EN 12053)	75 dB(A)
Operator noise level (LpA) (EN 12053) uncertainty	4 dB(A)
Level of acoustic power (LWA)	104 dB(A)
Whole body vibration (EN 13059)	1.30 ms ⁻²

Load Charts

With forks and standard 405/70x20 tyres, on stabilizers


Options

Air conditioning	Work lights on boom
Boom stop	Proportional engine fan with inverter
Custom colour	Remote control system with on-board charger
Fire extinguisher	Basic tow hitch
Forward/Reverse control on Steering Wheel Lever (no longer on joystick)	Boom wiring harness and electric connectors
Lockable fuel cap	High comfort air suspension seat
Loudspeaker & radio ready	Keyless ignition (start/stop with keypad)
PVC Document holder	Michelin tyres - set of 4 x 400/80-24" 162A8 IND TL POWER CL
Pintle tow hitch (including rear electric socket)	Pallet forks 1200mm length / Rigid frame / Forks included / Backrest included / For Quicktach tool carrier
Protective grill for windshield (front and roof)	Pallet forks 1200mm length / Floating / 1,44m carriage / Forks included / Backrest included / For Quicktach tool carrier
Rear Flat Mirror	Quicktach carriage with hydraulic attachment lock (boom wiring harness mandatory)
Roof window wiper	Rotating tow hitch (including rear electric socket)
Sun visor	Standard engine ignition (with key) with additional keypad security
Support for vehicle registration plate	Basic option tyres - set of 4 x 400/80-24"
Wheel wedge	Dunlop tyres - set of 4 x 405/70-24" SPT9 MPT (SEMI INDUSTRIAL)

Dimensions


(-)	857.0 mm	(L)	1793.0 mm
(A)	6647.0 mm	(M)	2850.0 mm
(B)	5442.0 mm	(N)	799.0 mm
(C)	5287.0 mm	(O)	930.0 mm
(D)	4192.0 mm	(P)	1862.0 mm
(E)	2584.0 mm	(Q)	2264.0 mm
(F)	2445.0 mm	(R)	5341.0 mm
(G)	143.0°	(R)	5429.0 mm
(I)	1941.0 mm	(S)	3765.0 mm
(J)	415.0 mm	(U)	1245.0 mm