

Performance

Lifting height — on stabilisers	17466.0 mm
Lifting height — on tyres	16200.0 mm
Rated capacity	4000 kg
Capacity (at max. height on stabilisers)	2500 kg
Capacity (at max. height on tyres)	1000 kg
Capacity (at max. reach on stabilisers)	560 kg
Max. reach on tyres	12800.0 mm

Weights

Weight (unladen)	10580 kg
------------------	----------

Traction

Standard tyres	DUNLOP 400/80-24 156B T37
1st gear / low range	8.5 km/h
1st gear / high range	30.0 km/h

Drive System

Transmission	Hydrostatic with electronic regulation
Main drive	Hydrostatic motor

Engine

Make / Model	Perkins / 1104D-44TA
Fuel	Diesel
Cooling	Water
Rated power (ISO 14396)	100.0 HP
Rated power (ISO 14396)	74.5 kW
Maximum torque at 1400 RPM	410.0 Nm
Number of cylinders	4
Displacement	4.40 L

Hydraulic System

Pump type	Gear pump with LS valve
Pump capacity	100.00 L/min
Relief valve pressure setting	250.00 bar

Cycle Times

Lift time - no load	14.0 s
Lower time - no load	8.5 s
Telescope in time at max. reach - no load	20.5 s
Telescope in time at max. height - no load	18.0 s
Telescope out time at max. reach - no load	31.5 s
Telescope out time at max. height - no load	31.5 s

Brakes

Engine braking	Hydrostatic
Parking and emergency brake	Passive brake

Fluid Capacities

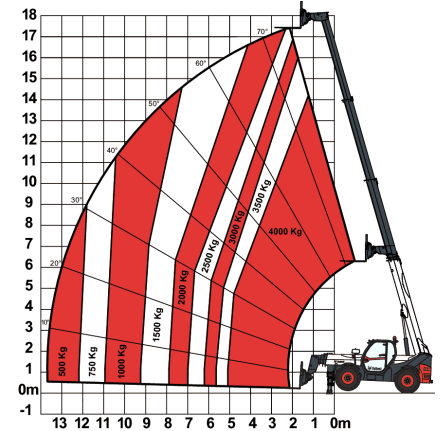
Fuel tank	145.00 L
Hydraulic reservoir	76.00 L

Environmental

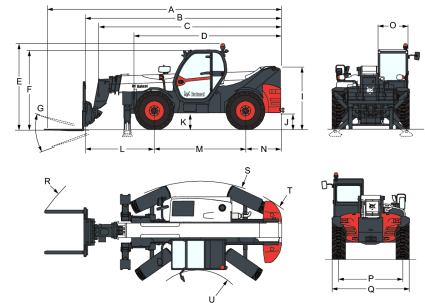
Level of acoustic power (LWA)	106 dB(A)
-------------------------------	-----------

Load Charts

With forks and standard 400/80x24 tyres, on stabilisers


Options

Air conditioning	Boom wiring harness and electric connectors
Boom stop	High comfort air suspension seat
Custom colour	Keyless ignition (start/stop with keypad)
Fire extinguisher	Michelin tyres - set of 4 x 400/80-24" 162A8 IND TL
Forward/Reverse control on Steering Wheel Lever (no longer on joystick)	POWER CL
Lockable fuel cap	Pallet forks 1200mm length / Rigid frame / Forks included / Backrest included / For Quicktach tool carrier
Loudspeaker & radio ready	Pallet forks 1200mm length / Floating / 1,44m carriage / Forks included / Backrest included / For Quicktach tool carrier
PVC Document holder	Quicktach carriage with hydraulic attachment lock (boom wiring harness mandatory)
Pintle tow hitch (including rear electric socket)	Rotating tow hitch (including rear electric socket)
Protective grill for windshield (front and roof)	Standard engine ignition (with key) with additional keypad security
Rear Flat Mirror	Manitou carriage with hydraulic attachment lock (boom wiring harness mandatory)
Roof window wiper	Manitou carriage with manual attachment lock
Sun visor	Pallet forks 1200mm length / Floating / 1,12m carriage / Forks included / Backrest included / For Manitach tool carrier
Support for vehicle registration plate	Pallet forks 1200mm length / Floating / 1,44m carriage / Forks included / Backrest included / For Manitach tool carrier
Wheel wedge	Pallet forks 1200mm length / Rigid frame / Forks included / Backrest included / For Manitach tool carrier
Work lights on boom	Man platform ready (remote control system, boom wiring harness and boom stop mandatory)
Proportional engine fan with inverter	Protective zinc coat
Remote control system with on-board charger	Cold start
Basic tow hitch	Cyclonic air prefilter
	Winch ready (boom wiring harness mandatory)

Dimensions


(-)	857.0 mm	(L)	2263.0 mm
(A)	7425.0 mm	(M)	2850.0 mm
(B)	6220.0 mm	(N)	1107.0 mm
(C)	5821.0 mm	(O)	930.0 mm
(D)	4573.0 mm	(P)	1992.0 mm
(E)	2673.0 mm	(Q)	2418.0 mm
(F)	2536.0 mm	(R)	5840.0 mm
(G)	124.0°	(S)	4150.0 mm
(I)	1956.0 mm	(U)	1519.0 mm
(J)	509.0 mm		