

Performance

Lifting height — on stabilisers	13656.0 mm
Lifting height — on tyres	13300.0 mm
Rated capacity	4100 kg
Capacity (at max. height on stabilisers)	4100 kg
Capacity (at max. height on tyres)	2500 kg
Capacity (at max. reach on stabilisers)	1250 kg
Capacity (at max. reach on tyres)	500 kg
Max. reach on tyres	9449.0 mm

Weights

Weight (unladen)	9960 kg
------------------	---------

Traction

Standard tyres	DUNLOP 400/80-24 156B T37
1st gear / low range	8.5 km/h
1st gear / high range	30.0 km/h

Drive System

Transmission	Hydrostatic with electronic regulation
Main drive	Hydrostatic motor

Engine

Make / Model	Perkins / 1104D-44TA
Fuel	Diesel
Cooling	Water
Rated power (ISO 14396)	100.0 HP
Rated power (ISO 14396)	74.5 kW
Maximum torque at 1400 RPM	410.0 Nm
Number of cylinders	4
Displacement	4.40 L

Hydraulic System

Pump type	Gear pump with LS valve
Pump capacity	100.00 L/min
Relief valve pressure setting	250.00 bar

Cycle Times

Lift time - no load	14.0 s
Lower time - no load	8.5 s
Telescope in time at max. reach - no load	13.0 s
Telescope in time at max. height - no load	11.5 s
Telescope out time at max. reach - no load	20.5 s
Telescope out time at max. height - no load	20.5 s

Brakes

Engine braking	Hydrostatic
Parking and emergency brake	Passive brake

Fluid Capacities

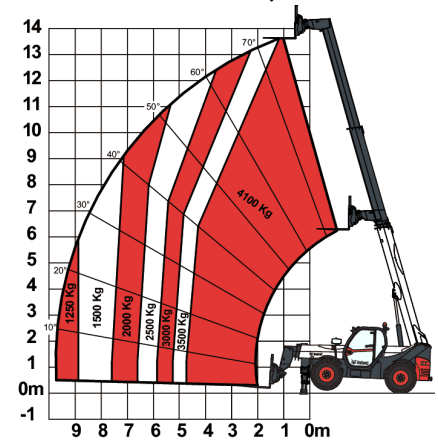
Fuel tank	145.00 L
Hydraulic reservoir	76.00 L

Environmental

Whole body vibration (EN 13059)	0.29 ms ⁻²
---------------------------------	-----------------------

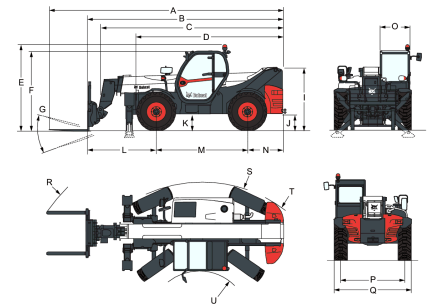
Load Charts

With forks and standard 400/80x24 tyres, on stabilisers


Options

Air conditioning	High comfort air suspension seat
Boom stop	Keyless ignition (start/stop with keypad)
Custom colour	Manitou carriage with manual attachment lock
Fire extinguisher	Manitou carriage with hydraulic attachment lock (boom wiring harness mandatory)
Forward/Reverse control on Steering Wheel Lever (no longer on joystick)	Michelin tyres - set of 4 x 400/80-24" 162A8 IND TL
Lockable fuel cap	POWER CL
Loudspeaker & radio ready	Pallet forks 1200mm length / Rigid frame / Forks included
PVC Document holder	/ Backrest included / For Quicktach tool carrier
Pintle tow hitch (including rear electric socket)	Pallet forks 1200mm length / Floating / 1,44m carriage
Protective grill for windshield (front and roof)	/ Forks included / Backrest included / For Quicktach tool carrier
Rear Flat Mirror	Quicktach carriage with hydraulic attachment lock (boom wiring harness mandatory)
Roof window wiper	Rotating tow hitch (including rear electric socket)
Sun visor	Standard engine ignition (with key) with additional keypad security
Wheel wedge	Pallet forks 1200mm length / Floating / 1,12m carriage
Work lights on boom	/ Forks included / Backrest included / For Manitach tool carrier
Proportional engine fan with inverter	Pallet forks 1200mm length / Floating / 1,44m carriage
Remote control system with on-board charger	/ Forks included / Backrest included / For Manitach tool carrier
Basic tow hitch	Man platform ready (remote control system, boom wiring harness and boom stop mandatory)
Boom wiring harness and electric connectors	Protective zinc coat
	Winch ready (boom wiring harness mandatory)
	Support for vehicle registration plate
	Cold start

Cyclonic air prefilter

Dimensions


(-)	857.0 mm	(L)	2151.0 mm
(A)	7313.0 mm	(M)	2850.0 mm
(B)	6108.0 mm	(N)	1107.0 mm
(C)	5709.0 mm	(O)	930.0 mm
(D)	4573.0 mm	(P)	1992.0 mm
(E)	2673.0 mm	(Q)	2418.0 mm
(F)	2536.0 mm	(R)	5745.0 mm
(G)	124.0°	(S)	4150.0 mm
(I)	1956.0 mm	(U)	1519.0 mm
(J)	509.0 mm		