

Performance

Lifting height — on stabilisers	13656.0 mm
Lifting height — on tyres	13300.0 mm
Rated capacity	4100 kg
Capacity (at max. height on stabilisers)	4100 kg
Capacity (at max. height on tyres)	2500 kg
Capacity (at max. reach on stabilisers)	1250 kg
Capacity (at max. reach on tyres)	350 kg
Max. reach on tyres	9449.0 mm

Weights

Weight (unladen)	9870 kg
------------------	---------

Traction

Standard tyres	DUNLOP 400/80-24 156B T37
1st gear / low range	4.8 km/h
1st gear / high range	24.0 km/h

Drive System

Transmission	Hydrostatic with electronic regulation
Main drive	Hydrostatic motor

Engine

Make / Model	Bobcat D34
Fuel	Diesel
Cooling	Coolant
Rated power (ISO 14396)	75.0 HP
Rated power (ISO 14396)	55.3 kW
Maximum torque at 1400 RPM	360.0 Nm
Number of cylinders	4
Displacement	3.40 L

Hydraulic System

Pump type	Gear pump with LS valve
Pump capacity	80.00 L/min
Relief valve pressure setting	250.00 bar

Cycle Times

Lift time - no load	16.0 s
Lower time - no load	10.0 s
Telescope in time at max. reach - no load	13.5 s
Telescope in time at max. height - no load	12.5 s
Telescope out time at max. reach - no load	23.5 s
Telescope out time at max. height - no load	23.5 s

Brakes

Engine braking	Hydrostatic
Parking and emergency brake	Passive brake

Fluid Capacities

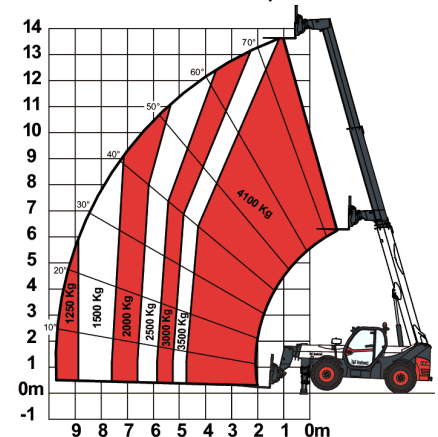
Fuel tank	145.00 L
Hydraulic reservoir	76.00 L

Environmental

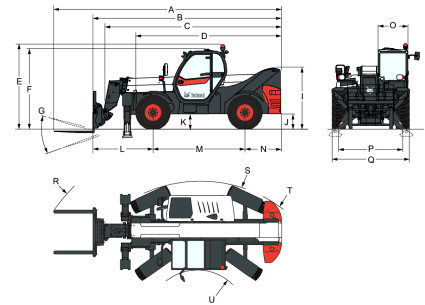
Operator noise level (LpA) (EN 12053)	75 dB(A)
Operator noise level (LpA) (EN 12053) uncertainty	4 dB(A)
Level of acoustic power (LWA)	104 dB(A)
Whole body vibration (EN 13059)	1.20 ms ⁻²

Load Charts

With forks and standard 400/80x24 tyres, on stabilisers


Options

Air conditioning	Boom wiring harness and electric connectors
Boom stop	High comfort air suspension seat
Custom colour	Keyless ignition (start/stop with keypad)
Fire extinguisher	Manitou carriage with manual attachment lock
Forward/Reverse control on Steering Wheel Lever (no longer on joystick)	Manitou carriage with hydraulic attachment lock (boom wiring harness mandatory)
Lockable fuel cap	Manitou carriage with Michelin tyres - set of 4 x 400/80-24" 162A8 IND TL POWER CL
Loudspeaker & radio ready	Pallet forks 1200mm length / Rigid frame / Forks included / Backrest included / For Quicktach tool carrier
PVC Document holder	Pallet forks 1200mm length / Floating / 1,44m carriage / Forks included / Backrest included / For Quicktach tool carrier
Pintle tow hitch (including rear electric socket)	Rotating tow hitch (including rear electric socket)
Protective grill for windshield (front and roof)	Standard engine ignition (with key) with additional keypad security
Rear Flat Mirror	Pallet forks 1200mm length / Floating / 1,12m carriage / Forks included / Backrest included / For Manitach tool carrier
Roof window wiper	Pallet forks 1200mm length / Floating / 1,44m carriage / Forks included / Backrest included / For Manitach tool carrier
Sun visor	Pallet forks 1200mm length / Rigid frame / Forks included / Backrest included / For Manitach tool carrier
Wheel wedge	Man platform ready (remote control system, boom wiring harness and boom stop mandatory)
Work lights on boom	Protective zinc coat
Proportional engine fan with inverter	Winch ready (boom wiring harness mandatory)
Remote control system with on-board charger	
Basic tow hitch	

Dimensions


(-)	857.0 mm	(L)	2151.0 mm
(A)	7313.0 mm	(M)	2850.0 mm
(B)	6108.0 mm	(N)	1107.0 mm
(C)	5709.0 mm	(O)	930.0 mm
(D)	4573.0 mm	(P)	1992.0 mm
(E)	2673.0 mm	(Q)	2418.0 mm
(F)	2536.0 mm	(R)	5745.0 mm
(G)	124.0°	(S)	4150.0 mm
(I)	1956.0 mm	(U)	1519.0 mm
(J)	509.0 mm		