

### Performance

Lifting height — on tyres	5800.0 mm
Rated capacity	2600 kg
Max. reach on tyres	3100.0 mm

### Weights

Weight (unladen)	4890 kg
------------------	---------

### Traction

Standard tyres	SOLIDEAL 405/70-20 14PR
1st gear / low range	7.5 km/h
1st gear / high range	29.5 km/h

### Drive System

Transmission	Hydrostatic with electronic regulation
Main drive	Hydrostatic motor

### Engine

Make / Model	Bobcat D34
Fuel	Diesel
Cooling	Coolant
Rated power (ISO 14396) at 2400 RPM	75.0 HP
Rated power (ISO 14396) at 2400 RPM	55.3 kW
Maximum torque at 1400 RPM	360.0 Nm
Number of cylinders	4
Displacement	3.40 L

### Hydraulic System

Pump type	Gear pump with LS valve
Pump capacity	80.00 L/min
Relief valve pressure setting	250.00 bar

### Cycle Times

Lift time - no load	6.0 s
Lower time - no load	4.2 s
Telescope in time at max. reach - no load	3.3 s
Telescope in time at max. height - no load	3.3 s
Telescope out time at max. reach - no load	5.8 s
Telescope out time at max. height - no load	5.8 s

### Brakes

Engine braking	Hydrostatic
Parking and emergency brake	Passive brake

### Fluid Capacities

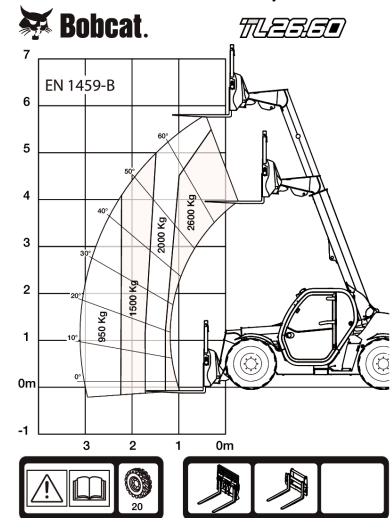
Fuel tank	115.00 L
Hydraulic reservoir	47.00 L

### Environmental

Operator noise level (LpA) (EN 12053)	76 dB(A)
Operator noise level (LpA) (EN 12053) uncertainty	4 dB(A)
Level of acoustic power (LWA)	104 dB(A)
Whole body vibration (EN 13059)	1.80 ms <sup>-2</sup>

### Load Charts

With forks and standard 405/70x20 tyres



### Options

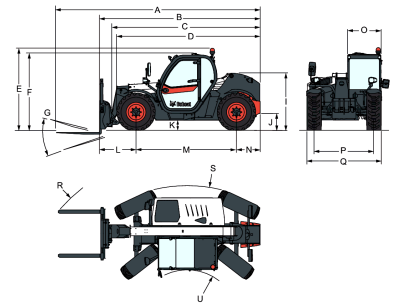
Air conditioning	Standard engine ignition (with key) with additional keypad security
Boom stop	Manitou carriage with hydraulic attachment lock (boom wiring harness mandatory)
Custom colour	Manitou carriage with manual attachment lock
Fire extinguisher	Basic option tyres - set of 4 x 400/80-24"
Forward/Reverse control on Steering Wheel Lever (no longer on joystick)	Blue lights for henhouses
Lockable fuel cap	Boom suspension
Loudspeaker & radio ready	Boom wiring harness and controls in cab
PVC Document holder	Dunlop tyres - set of 4 x 405/70-20" SPT9 MPT (SEMI INDUSTRIAL)
Pintle tow hitch (including rear electric socket)	Dunlop tyres - set of 4 x 405/70-24" SPT9 MPT (SEMI INDUSTRIAL)
Protective grill for windshield (front and roof)	Forward/Reverse control on joystick and steering wheel
Rear Flat Mirror	Front tow hitch
Roof window wiper	Premium cab finition (deluxe steering wheel, arm rest, aluminium panels)
Sun visor	Fan inverter with manual & auto modes
Support for vehicle registration plate	Michelin tyres - set of 4 x 400/70R20" 149A8/149B IND TL BIBLOAD
Wheel wedge	Michelin tyres - set of 4 x 400/70R20" 149A8/149B IND TL XMCL
Work lights on boom	Michelin tyres - set of 4 x 400/70R24" 152A8/152B IND TL XMCL
Basic tow hitch	Rear auxiliary line
High comfort air suspension seat	Rear auxiliary line with hydraulic pick-up tow hitch (including rear electric socket) (rear flat mirror mandatory)
Keyless ignition (start/stop with keypad)	Rotating tow hitch with height adjustment (auto-lock/German style) (including rear electric socket)
Michelin tyres - set of 4 x 400/80-24" 162A8 IND TL POWER CL	
Quicktach carriage with hydraulic attachment lock (boom wiring harness mandatory)	
Rotating tow hitch (including rear electric socket)	

# TL26.60 High Cab 75 V

## Telescopic Specifications

Rotating tow hitch with height adjustment (manual locking) (including rear electric socket)  
 Transmission 35km/h (max speed with 24" tyres)  
 Alliance tyres - set of 4 x 400/70R20" (AGRICULTURAL)

### Dimensions



(-)	857.0 mm	(L)	1020.0 mm
(A)	5712.0 mm	(M)	2820.0 mm
(B)	4507.0 mm	(N)	667.0 mm
(C)	4140.0 mm	(O)	930.0 mm
(D)	4035.0 mm	(P)	1666.0 mm
(E)	2440.0 mm	(Q)	2100.0 mm
(F)	2306.0 mm	(R)	4713.0 mm
(G)	136.0°	(R)	4812.0 mm
(I)	1587.0 mm	(S)	3717.0 mm
(J)	264.0 mm	(U)	1329.0 mm