

Performance

Lifting height — on tyres	5800.0 mm
Rated capacity	3000 kg
Capacity (at max. height on tyres)	2500 kg
Capacity (at max. reach on tyres)	1250 kg
Max. reach on tyres	3100.0 mm

Weights

Weight (unladen)	5180 kg
------------------	---------

Traction

Standard tyres	Michelin tyres - set of 4 x 400/70R20" 149A8/149B IND TL XMCL
1st gear / low range (40 km/h option)	10 (10) km/h
1st gear / high range (40 km/h option)	31 (40 with 24 inch tyres) km/h

Drive System

Transmission	Hydrostatic with electronic regulation
Main drive	Hydrostatic motor

Engine

Make / Model	Perkins / 1104D-44TA
Fuel	Diesel
Cooling	Water
Rated power (ISO 14396)	100.0 HP
Rated power (ISO 14396)	74.5 kW
Maximum torque at 1400 RPM	410.0 Nm
Number of cylinders	4
Displacement	4.40 L

Hydraulic System

Pump type	Gear pump with LS valve
Pump capacity	100.00 L/min
Relief valve pressure setting	250.00 bar

Cycle Times

Lift time - no load	5.3 s
Lower time - no load	4.0 s
Telescope in time at max. reach - no load	3.6 s
Telescope in time at max. height - no load	3.6 s
Telescope out time at max. reach - no load	5.0 s
Telescope out time at max. height - no load	5.0 s

Brakes

Engine braking	Hydrostatic
Parking and emergency brake	Passive brake

Fluid Capacities

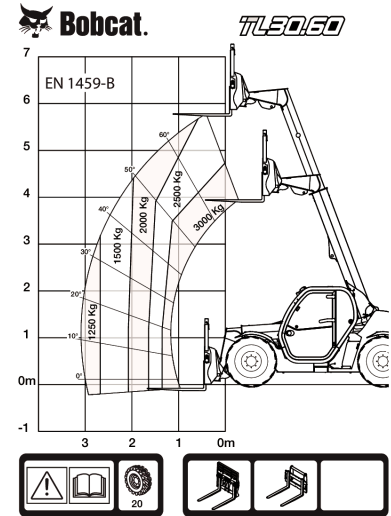
Fuel tank	115.00 L
Hydraulic reservoir	47.00 L

Environmental

Operator noise level (LpA) (EN 12053)	78 dB(A)
Whole body vibration (EN 13059)	1.70 ms ⁻²

Load Charts

With forks and standard 405/70x20 tyres



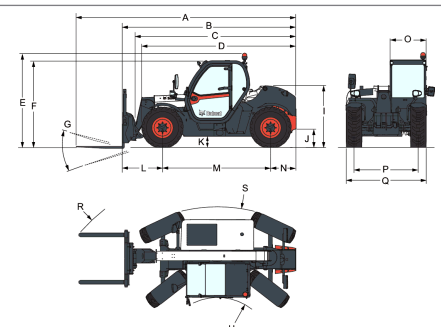
99442 G7

7296640

Options

Air conditioning	Manitou carriage with manual attachment lock
Boom stop	Boom suspension
Custom colour	Forward/Reverse control on joystick and steering wheel
Fire extinguisher	Front tow hitch
Forward/Reverse control on Steering Wheel Lever (no longer on joystick)	Rear auxiliary line
Pintle tow hitch (including rear electric socket)	Rear auxiliary line with hydraulic pick-up tow hitch (including rear electric socket) (rear flat mirror mandatory)
Protective grill for windshield (front and roof)	Rotating tow hitch with height adjustment (auto-lock/German style) (including rear electric socket)
Wheel wedge	Rotating tow hitch with height adjustment (manual locking) (including rear electric socket)
Keyless ignition (start/stop with keypad)	Cold start
Quicktach carriage with hydraulic attachment lock (boom wiring harness mandatory)	Michelin tyres - set of 4 x 400/70R24" 152A8/152B IND TL XMCL
Standard engine ignition (with key) with additional keypad security	Blue lights for henhouses
Manitou carriage with hydraulic attachment lock (boom wiring harness mandatory)	

Dimensions



(-) 857.0 mm	(L) 1020.0 mm
(A) 5712.0 mm	(M) 2820.0 mm
(B) 4507.0 mm	(N) 667.0 mm
(C) 4400.0 mm	(O) 930.0 mm
(D) 4035.0 mm	(P) 1666.0 mm
(E) 2440.0 mm	(Q) 2100.0 mm
(F) 2250.0 mm	(R) 4713.0 mm

TL30.60 AGRI High Cab 100 IIIA

Telescopic Specifications

(G)	136.0°	(R)	4812.0 mm
(I)	1587.0 mm	(S)	3717.0 mm
(J)	264.0 mm	(U)	1329.0 mm