

# TL30.60 AGRI Low Cab 100 IV

## Telescopic Specifications

### Performance

Lifting height — on tyres	5800.0 mm
Rated capacity	3000 kg
Capacity (at max. height on tyres)	2500 kg
Capacity (at max. reach on tyres)	1300 kg
Max. reach on tyres	3100.0 mm

### Weights

Weight (unladen)	5495 kg
------------------	---------

### Traction

Standard tyres	Michelin tyres - set of 4 x 400/70R20" 149A8/149B IND TL XMCL
1st gear / low range (40 km/h option)	10 (10) km/h
1st gear / high range (40 km/h option)	31 (40 with 24 inch tyres) km/h

### Drive System

Transmission	Hydrostatic with electronic regulation
Main drive	Hydrostatic motor

### Engine

Make / Model	Bobcat D34
Fuel	Diesel
Cooling	Coolant
Rated power (ISO 14396:2002) at 2400 RPM	100.0 HP
Rated power (ISO 14396:2002) at 2400 RPM	74.5 kW
Maximum torque at 1400 RPM	430.0 Nm
Number of cylinders	4
Displacement	3.40 L
	40.00

### Hydraulic System

Pump type	Gear pump with LS valve
Pump capacity	100.00 L/min
Relief valve pressure setting	250.00 bar

### Cycle Times

Lift time - no load	5.3 s
Lower time - no load	4.0 s
Telescope in time at max. reach - no load	3.6 s
Telescope in time at max. height - no load	3.6 s
Telescope out time at max. reach - no load	5.0 s
Telescope out time at max. height - no load	5.0 s

### Brakes

Engine braking	Hydrostatic
Parking and emergency brake	Passive brake

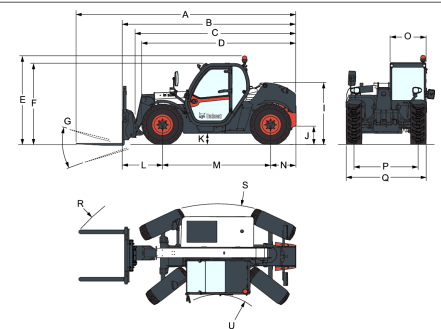
### Fluid Capacities

Fuel tank	115.00 L
Hydraulic reservoir	47.00 L

### Environmental

Operator noise level (LpA) (EN 12053)	77 dB(A)
Operator noise level (LpA) (EN 12053) uncertainty	4 dB(A)
Level of acoustic power (LWA)	104 dB(A)
Whole body vibration (EN 13059)	1.70 ms <sup>-2</sup>

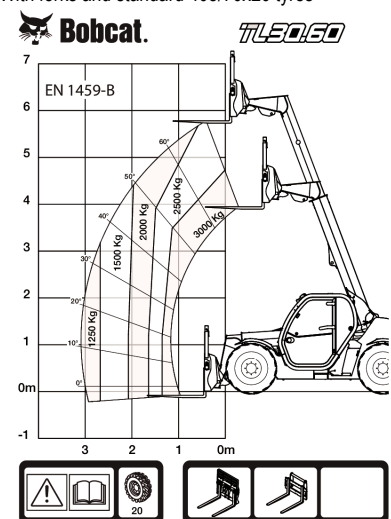
### Dimensions



(-)	857.0 mm	(L)	1020.0 mm
(A)	5712.0 mm	(M)	2820.0 mm
(B)	4507.0 mm	(N)	667.0 mm
(C)	4400.0 mm	(O)	930.0 mm
(D)	4035.0 mm	(P)	1666.0 mm
(E)	2290.0 mm	(Q)	2100.0 mm
(F)	2100.0 mm	(R)	4713.0 mm
(G)	136.0°	(S)	3717.0 mm
(I)	1587.0 mm	(U)	1329.0 mm
(J)	264.0 mm		

### Load Charts

With forks and standard 405/70x20 tyres



99442 G7

7296640

### Options

Air conditioning	Manitou carriage with hydraulic attachment lock
Boom stop	(boom wiring harness mandatory)
Custom colour	
Fire extinguisher	
Forward/Reverse control on Steering Wheel Lever (no longer on joystick)	Manitou carriage with manual attachment lock
Pintle tow hitch (including rear electric socket)	Blue lights for henhouses
Protective grill for windshield (front and roof)	Boom suspension
Wheel wedge	Forward/Reverse control on joystick and steering wheel
Keyless ignition (start/stop with keypad)	Front tow hitch
Quicktach carriage with hydraulic attachment lock (boom wiring harness mandatory)	Michelin tyres - set of 4 x 400/70R24" 152A8/152B IND TL XMCL
Standard engine ignition (with key) with additional keypad security	Rear auxiliary line
	Rear auxiliary line with hydraulic pick-up tow hitch (including rear electric socket) (rear flat mirror mandatory)
	Rotating tow hitch with height adjustment (auto-lock/German style)

## TL30.60 AGRI Low Cab 100 IV

## Telescopic Specifications

(including rear electric socket)  
Rotating tow hitch with height adjustment (manual locking) (including rear electric socket)