

Performance

Lifting height — on tyres	5800.0 mm
Rated capacity	3000 kg
Capacity (at max. height on tyres)	2500 kg
Capacity (at max. reach on tyres)	1250 kg
Max. reach on tyres	3100.0 mm

Weights

Weight (unladen)	5180 kg
------------------	---------

Traction

Standard tyres	SOLIDEAL 405/70-20 14PR
1st gear / low range (40 km/h option)	10 (10) km/h
1st gear / high range (40 km/h option)	31 (40 on 24 inch tyres) km/h

Drive System

Transmission	Hydrostatic with electronic regulation
Main drive	Hydrostatic motor

Engine

Make / Model	Perkins / 1104D-44TA
Fuel	Diesel
Cooling	Water
Rated power (ISO 14396)	100.0 HP
Rated power (ISO 14396)	74.5 kW
Maximum torque at 1400 RPM	410.0 Nm
Number of cylinders	4
Displacement	4.40 L

Hydraulic System

Pump type	Gear pump with LS valve
Pump capacity	100.00 L/min
Relief valve pressure setting	250.00 bar

Cycle Times

Lift time - no load	5.3 s
Lower time - no load	4.0 s
Telescope in time at max. reach - no load	3.6 s
Telescope in time at max. height - no load	3.6 s
Telescope out time at max. reach - no load	5.0 s
Telescope out time at max. height - no load	5.0 s

Brakes

Engine braking	Hydrostatic
Parking and emergency brake	Passive brake

Fluid Capacities

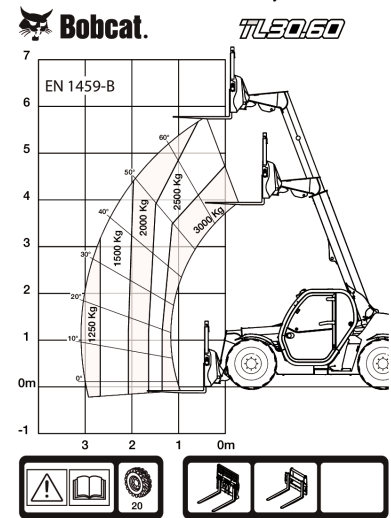
Fuel tank	115.00 L
Hydraulic reservoir	47.00 L

Environmental

Operator noise level (LpA) (EN 12053)	78 dB(A)
Whole body vibration (EN 13059)	1.70 ms ⁻²

Load Charts

With forks and standard 405/70x20 tyres



99442 G7

7296640

Options

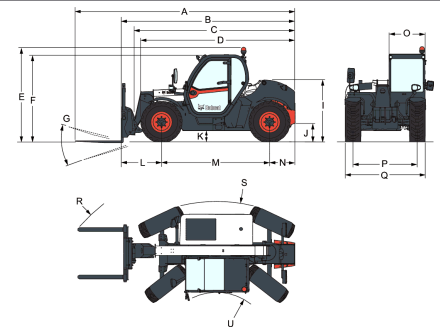
Air conditioning	Manitou carriage with hydraulic attachment lock (boom wiring harness mandatory)
Boom stop	Manitou carriage with manual attachment lock
Custom colour	Basic option tyres - set of 4 x 400/80-24"
Fire extinguisher	Blue lights for henhouses
Forward/Reverse control on Steering Wheel Lever (no longer on joystick)	Boom suspension
Lockable fuel cap	Dunlop tyres - set of 4 x 405/70-20" SPT9 MPT (SEMI INDUSTRIAL)
Loudspeaker & radio ready	Dunlop tyres - set of 4 x 405/70-24" SPT9 MPT (SEMI INDUSTRIAL)
PVC Document holder	Forward/Reverse control on joystick and steering wheel
Pintle tow hitch (including rear electric socket)	Front tow hitch
Protective grill for windshield (front and roof)	Premium cab finition (deluxe steering wheel, arm rest, aluminium panels)
Rear Flat Mirror	Fan inverter with manual & auto modes
Roof window wiper	Michelin tyres - set of 4 x 400/70R20" 149A8/149B
Sun visor	IND TL BIBLOAD
Support for vehicle registration plate	Michelin tyres - set of 4 x 400/70R20" 149A8/149B
Wheel wedge	IND TL XMCL
Work lights on boom	Michelin tyres - set of 4 x 400/70R24" 152A8/152B
Basic tow hitch	IND TL XMCL
High comfort air suspension seat	Rear auxiliary line
Keyless ignition (start/stop with keypad)	Rear auxiliary line with hydraulic pick-up tow hitch (including rear electric socket) (rear flat mirror mandatory)
Michelin tyres - set of 4 x 400/80-24" 162A8 IND TL POWER CL	Rotating tow hitch with height adjustment (auto-lock/German style) (including rear electric socket)
Quicktach carriage with hydraulic attachment lock (boom wiring harness mandatory)	Rotating tow hitch with height adjustment (manual locking) (including rear electric socket)
Rotating tow hitch (including rear electric socket)	
Standard engine ignition (with key) with additional keypad security	

TL30.60 High Cab 100 IIIA

Telescopic Specifications

Trailer brake valve (not available for Germany & Italy)
 Transmission 40km/h (max speed with 24" tyres)
 Cold start
 Cyclonic air prefilter
 Alliance tyres - set of 4 x 400/70R20" (AGRICULTURAL)

Dimensions



(-)	857.0 mm	(L)	1020.0 mm
(A)	5712.0 mm	(M)	2820.0 mm
(B)	4507.0 mm	(N)	667.0 mm
(C)	4140.0 mm	(O)	930.0 mm
(D)	4035.0 mm	(P)	1666.0 mm
(E)	2440.0 mm	(Q)	2100.0 mm
(F)	2306.0 mm	(R)	4713.0 mm
(G)	136.0°	(S)	4812.0 mm
(I)	1587.0 mm	(T)	3717.0 mm
(J)	264.0 mm	(U)	1329.0 mm