

Performance

Lifting height — on tyres	5800.0 mm
Rated capacity	3000 kg
Capacity (at max. height on tyres)	2500 kg
Capacity (at max. reach on tyres)	1300 kg
Max. reach on tyres	3100.0 mm

Weights

Weight (unladen)	5330 kg
------------------	---------

Traction

Standard tyres	SOLIDEAL 405/70-20 14PR
1st gear / low range	7.5 km/h
1st gear / high range	29.5 km/h

Drive System

Transmission	Hydrostatic with electronic regulation
Main drive	Hydrostatic motor

Engine

Make / Model	Bobcat D34
Fuel	Diesel
Cooling	Coolant
Rated power (ISO 14396)	75.0 HP
Rated power (ISO 14396)	55.2 kW
Maximum torque at 1400 RPM	325.0 Nm
Number of cylinders	4
Displacement	3.40 L

Hydraulic System

Pump type	Gear pump with LS valve
Pump capacity	80.00 L/min
Relief valve pressure setting	250.00 bar

Cycle Times

Lift time - no load	6.0 s
Lower time - no load	4.2 s
Telescope in time at max. reach - no load	3.3 s
Telescope in time at max. height - no load	3.3 s
Telescope out time at max. reach - no load	5.8 s
Telescope out time at max. height - no load	5.8 s

Brakes

Engine braking	Hydrostatic
Parking and emergency brake	Passive brake

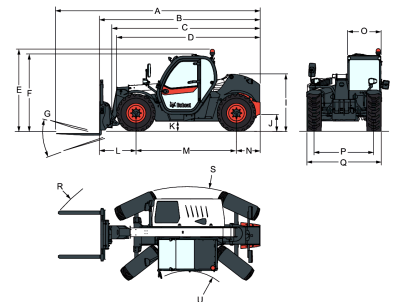
Fluid Capacities

Fuel tank	115.00 L
Hydraulic reservoir	47.00 L

Environmental

Operator noise level (LpA) (EN 12053)	76 dB(A)
Operator noise level (LpA) (EN 12053) uncertainty	4 dB(A)
Level of acoustic power (LWA)	104 dB(A)
Whole body vibration (EN 13059)	1.80 ms ⁻²

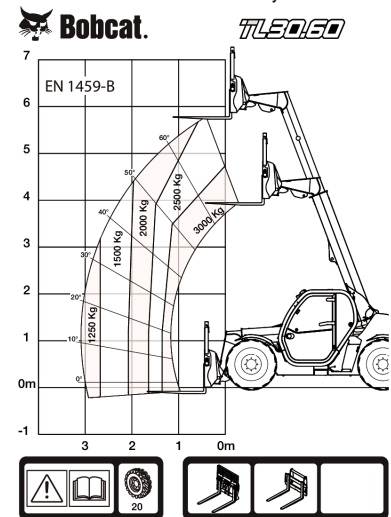
Dimensions



(-)	857.0 mm	(L)	1020.0 mm
(A)	5712.0 mm	(M)	2820.0 mm
(B)	4507.0 mm	(N)	667.0 mm
(C)	4140.0 mm	(O)	930.0 mm
(D)	4035.0 mm	(P)	1700.0 mm
(E)	2440.0 mm	(Q)	2100.0 mm
(F)	2306.0 mm	(R)	4713.0 mm
(G)	136.0°	(S)	3717.0 mm
(I)	1587.0 mm	(U)	1329.0 mm
(J)	264.0 mm		

Load Charts

With forks and standard 405/70x20 tyres



99442 G7

7296640

Options

Air conditioning	Standard engine ignition (with key) with additional keypad security
Boom stop	Manitou carriage with hydraulic attachment lock (boom wiring harness mandatory)
Custom colour	Manitou carriage with manual attachment lock
Fire extinguisher	Basic option tyres - set of 4 x 400/80-24"
Forward/Reverse control on Steering Wheel Lever (no longer on joystick)	Blue lights for henhouses
Lockable fuel cap	Boom suspension
Loudspeaker & radio ready	Boom wiring harness and controls in cab
PVC Document holder	Dunlop tyres - set of 4 x 405/70-20" SPT9 MPT (SEMI INDUSTRIAL)
Pintle tow hitch (including rear electric socket)	Dunlop tyres - set of 4 x 405/70-24" SPT9 MPT (SEMI INDUSTRIAL)
Protective grill for windshield (front and roof)	Forward/Reverse control on joystick and steering wheel
Rear Flat Mirror	Front tow hitch
Roof window wiper	
Sun visor	
Support for vehicle registration plate	
Wheel wedge	
Work lights on boom	
Basic tow hitch	
High comfort air suspension seat	

Keyless ignition (start/stop with keypad)	Premium cab finition (deluxe steering wheel, arm rest, aluminium panels)
Michelin tyres - set of 4 x 400/80-24" 162A8 IND TL POWER CL	Fan inverter with manual & auto modes
Quicktach carriage with hydraulic attachment lock (boom wiring harness mandatory)	Michelin tyres - set of 4 x 400/70R20" 149A8/149B IND TL BIBLOAD
Rotating tow hitch (including rear electric socket)	Michelin tyres - set of 4 x 400/70R20" 149A8/149B IND TL XMCL
	Michelin tyres - set of 4 x 400/70R24" 152A8/152B IND TL XMCL
	Rear auxiliary line
	Rear auxiliary line with hydraulic pick-up tow hitch (including rear electric socket) (rear flat mirror mandatory)
	Rotating tow hitch with height adjustment (auto-lock/German style) (including rear electric socket)
	Rotating tow hitch with height adjustment (manual locking) (including rear electric socket)
	Transmission 35km/h (max speed with 24" tyres)
	Alliance tyres - set of 4 x 400/70R20" (AGRICULTURAL)