

### Performance

|                                    |           |
|------------------------------------|-----------|
| Lifting height — on tyres          | 5800.0 mm |
| Rated capacity                     | 3000 kg   |
| Capacity (at max. height on tyres) | 2500 kg   |
| Capacity (at max. reach on tyres)  | 1250 kg   |
| Max. reach on tyres                | 3100.0 mm |

### Weights

|                  |         |
|------------------|---------|
| Weight (unladen) | 5180 kg |
|------------------|---------|

### Traction

|  |                               |
|--|-------------------------------|
| Standard tyres                         | SOLIDEAL 405/70-20 14PR       |
| 1st gear / low range (40 km/h option)  | 10 (10) km/h                  |
| 1st gear / high range (40 km/h option) | 31 (40 on 24 inch tyres) km/h |

### Drive System

|              |  |
|--------------|--|
| Transmission | Hydrostatic with electronic regulation |
| Main drive   | Hydrostatic motor                      |

### Engine

|                            |                      |
|----------------------------|----------------------|
| Make / Model               | Perkins / 1104D-44TA |
| Fuel                       | Diesel               |
| Cooling                    | Water                |
| Rated power (ISO 14396)    | 100.0 HP             |
| Rated power (ISO 14396)    | 74.5 kW              |
| Maximum torque at 1400 RPM | 410.0 Nm             |
| Number of cylinders        | 4                    |
| Displacement               | 4.40 L               |

### Hydraulic System

|                               |                         |
|-------------------------------|-------------------------|
| Pump type                     | Gear pump with LS valve |
| Pump capacity                 | 100.00 L/min            |
| Relief valve pressure setting | 250.00 bar              |

### Cycle Times

|   |       |
|---|-------|
| Lift time - no load                         | 5.3 s |
| Lower time - no load                        | 4.0 s |
| Telescope in time at max. reach - no load   | 3.6 s |
| Telescope in time at max. height - no load  | 3.6 s |
| Telescope out time at max. reach - no load  | 5.0 s |
| Telescope out time at max. height - no load | 5.0 s |

### Brakes

|                             |               |
|-----------------------------|---------------|
| Engine braking              | Hydrostatic   |
| Parking and emergency brake | Passive brake |

### Fluid Capacities

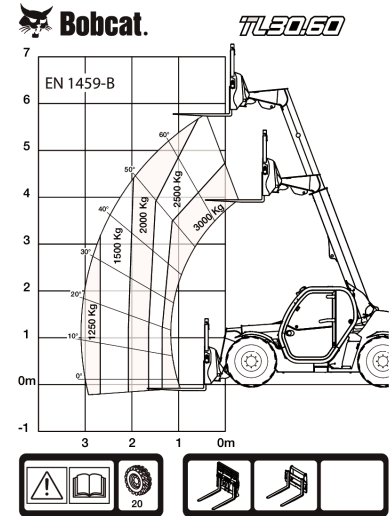
|                     |          |
|---------------------|----------|
| Fuel tank           | 115.00 L |
| Hydraulic reservoir | 47.00 L  |

### Environmental

|                                       |                       |
|---------------------------------------|-----------------------|
| Operator noise level (LpA) (EN 12053) | 78 dB(A)              |
| Whole body vibration (EN 13059)       | 1.70 ms <sup>-2</sup> |

### Load Charts

With forks and standard 405/70x20 tyres



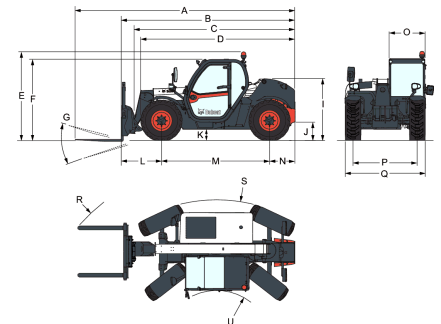
99442 G7

7296640

### Options

|   |   |
|---|---|
| Air conditioning  | Manitou carriage with manual attachment lock  |
| Boom stop   | Basic option tyres - set of 4 x 400/80-24"  |
| Custom colour   | Blue lights for henhouses   |
| Fire extinguisher   | Boom suspension   |
| Forward/Reverse control on Steering Wheel Lever (no longer on joystick)           | Dunlop tyres - set of 4 x 405/70-20" SPT9 MPT (SEMI INDUSTRIAL)                                     |
| Lockable fuel cap   | Dunlop tyres - set of 4 x 405/70-24" SPT9 MPT (SEMI INDUSTRIAL)                                     |
| Loudspeaker & radio ready   | Forward/Reverse control on joystick and steering wheel  |
| PVC Document holder   | Front tow hitch   |
| Pintle tow hitch (including rear electric socket)                                 | Premium cab finition (deluxe steering wheel, arm rest, aluminium panels)                            |
| Protective grill for windshield (front and roof)                                  | Fan inverter with manual & auto modes   |
| Rear Flat Mirror  | Michelin tyres - set of 4 x 400/70R20" 149A8/149B   |
| Roof window wiper   | IND TL BIBLOAD  |
| Sun visor   | Michelin tyres - set of 4 x 400/70R20" 149A8/149B   |
| Support for vehicle registration plate  | IND TL XMCL   |
| Wheel wedge   | Michelin tyres - set of 4 x 400/70R24" 152A8/152B   |
| Work lights on boom   | IND TL XMCL   |
| Basic tow hitch   | Rear auxiliary line   |
| High comfort air suspension seat  | Rear auxiliary line with hydraulic pick-up tow hitch (including rear electric socket)               |
| Keyless ignition (start/stop with keypad)   | Rotating tow hitch (rear flat mirror mandatory)   |
| Michelin tyres - set of 4 x 400/80-24" 162A8 IND TL POWER CL                      | Rotating tow hitch with height adjustment (auto-lock/German style) (including rear electric socket) |
| Quicktach carriage with hydraulic attachment lock (boom wiring harness mandatory) | Rotating tow hitch with height adjustment (manual locking) (including rear electric socket)         |
| Rotating tow hitch (including rear electric socket)                               | Trailer brake valve (not available for Germany & Italy)   |
| Standard engine ignition (with key) with additional keypad security               | Transmission 40km/h (max speed with 24" tyres)  |
| Manitou carriage with hydraulic attachment lock (boom wiring harness mandatory)   | Cold start  |

Cyclonic air prefilter  
 Boom wiring harness and electric connectors  
 Alliance tyres - set of 4 x 400/70R20" (AGRICULTURAL)

**Dimensions**


|     |           |     |           |
|-----|-----------|-----|-----------|
| (-) | 857.0 mm  | (L) | 1020.0 mm |
| (A) | 5712.0 mm | (M) | 2820.0 mm |
| (B) | 4507.0 mm | (N) | 667.0 mm  |
| (C) | 4140.0 mm | (O) | 930.0 mm  |
| (D) | 4035.0 mm | (P) | 1666.0 mm |
| (E) | 2290.0 mm | (Q) | 2100.0 mm |
| (F) | 2156.0 mm | (R) | 4713.0 mm |
| (G) | 136.0°    | (S) | 4812.0 mm |
| (I) | 1587.0 mm | (U) | 3717.0 mm |
| (J) | 264.0 mm  |     | 1329.0 mm |