

TL30.70 AGRI High Cab 100 IV

Telescopic Specifications

Performance

| | |
|------------------------------------|-----------|
| Lifting height — on tyres | 6675.0 mm |
| Rated capacity | 3000 kg |
| Capacity (at max. height on tyres) | 2000 kg |
| Capacity (at max. reach on tyres) | 1050 kg |
| Max. reach on tyres | 4020.0 mm |

Weights

| | |
|------------------|---------|
| Weight (unladen) | 5800 kg |
|------------------|---------|

Traction

| | |
|----------------|---|
| Standard tyres | Michelin tyres - set of 4 x 400/70R20" 149A8/149B IND TL XMCL |
|----------------|---|

Drive System

| | |
|------------------------------------|--|
| Transmission | Hydrostatic with electronic regulation |
| Main drive | Hydrostatic motor |
| 1st gear – Turtle (40 KM/H option) | 10 (10) km/h |
| 1st gear – Rabbit (40 KM/H option) | 31 (40 with 24 inch tyres) km/h |

Engine

| | |
|---|------------|
| Make / Model | Bobcat D34 |
| Fuel | Diesel |
| Cooling | Coolant |
| Rated power (ISO 14396:2002) at 2400 RPM: | 100.0 HP |
| Rated power (ISO 14396:2002) at 2400 RPM: | 74.5 kW |
| Maximum torque at 1400 RPM | 430.0 Nm |
| Number of cylinders | 4 |
| Displacement | 3.40 L |

Hydraulic System

| | |
|-------------------------------|-------------------------|
| Pump type | Gear pump with LS valve |
| Pump capacity | 100.00 L/min |
| Relief valve pressure setting | 250.00 bar |

Cycle Times

| | |
|---|-------|
| Lift time - no load | 5.3 s |
| Lower time - no load | 4.0 s |
| Telescope in time at max. reach - no load | 4.2 s |
| Telescope in time at max. height - no load | 4.2 s |
| Telescope out time at max. reach - no load | 6.3 s |
| Telescope out time at max. height - no load | 6.3 s |

Brakes

| | |
|-----------------------------|---------------|
| Engine braking | Hydrostatic |
| Parking and emergency brake | Passive brake |

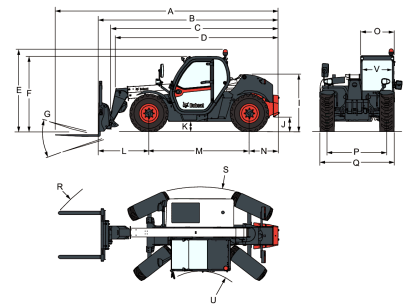
Fluid Capacities

| | |
|---------------------|----------|
| Fuel tank | 115.00 L |
| Hydraulic reservoir | 47.00 L |

Environmental

| | |
|---|-----------------------|
| Operator noise level (LpA) (EN 12053) | 77 dB(A) |
| Operator noise level (LpA) (EN 12053) uncertainty | 4 dB(A) |
| Level of acoustic power (LWA) | 106 dB(A) |
| Whole body vibration (EN 13059) | 1.70 ms ⁻² |

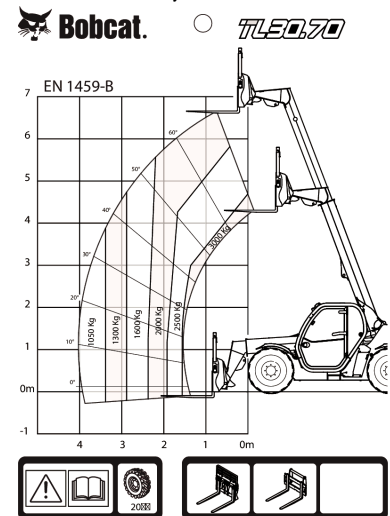
Dimensions



| | | | |
|-----|-----------|-----|-----------|
| (A) | 6240.0 mm | (M) | 2820.0 mm |
| (B) | 5035.0 mm | (N) | 667.0 mm |
| (C) | 4670.0 mm | (O) | 930.0 mm |
| (D) | 4185.0 mm | (P) | 1666.0 mm |
| (E) | 2440.0 mm | (Q) | 2100.0 mm |
| (F) | 2250.0 mm | (R) | 5035.0 mm |
| (G) | 136.0° | (S) | 5130.0 mm |
| (I) | 1587.0 mm | (T) | 3717.0 mm |
| (J) | 264.0 mm | (U) | 1329.0 mm |
| (L) | 1400.0 mm | (V) | 857.0 mm |

Load Charts

With forks on 20 inch tyres



109460 G7

7312833

Options

| | |
|---|--|
| Air conditioning | Standard engine ignition (with key) with additional keypad security |
| Boom stop | Manitou carriage with hydraulic attachment lock (boom wiring harness mandatory) |
| Custom colour | Manitou carriage with manual attachment lock |
| Fire extinguisher | Blue lights for henhouses |
| Forward/Reverse control on Steering Wheel Lever (no longer on joystick) | Boom suspension |
| Pintle tow hitch (including rear electric socket) | Forward/Reverse control on joystick and steering wheel |
| Protective grill for windshield (front and roof) | Front tow hitch |
| Wheel wedge | Rear auxiliary line |
| Keyless ignition (start/stop with keypad) | Rear auxiliary line with hydraulic pick-up tow hitch (including rear electric socket) (rear flat mirror mandatory) |
| Michelin tyres - set of 4 x 400/80-24" 162A8 IND TL POWER CL | Rotating tow hitch with height adjustment (auto-lock/German style) |
| Quicktach carriage with hydraulic attachment lock (boom wiring harness mandatory) | |

TL30.70 AGRI High Cab 100 IV

Telescopic Specifications

(including rear electric socket)
Rotating tow hitch with height adjustment (manual locking) (including rear electric socket)