

Performance

Lifting height — on tyres	6675.0 mm
Rated capacity	3000 kg
Capacity (at max. height on tyres)	2000 kg
Capacity (at max. reach on tyres)	1050 kg
Max. reach on tyres	4020.0 mm

Weights

Weight (unladen)	5615 kg
------------------	---------

Traction

Standard tyres	SOLIDEAL 405/70-20 14PR
----------------	-------------------------

Drive System

Transmission	Hydrostatic with electronic regulation
Main drive	Hydrostatic motor
1st gear – Turtle	7.5 km/h
1st gear – Rabbit	29.5 km/h

Engine

Make / Model	Bobcat D34
Fuel	Diesel
Cooling	Coolant
Rated power (ISO 14396)	75.0 HP
Rated power (ISO 14396)	55.3 kW
Maximum torque at 1400 RPM	360.0 Nm
Number of cylinders	4
Displacement	3.40 L

Hydraulic System

Pump type	Gear pump with LS valve
Pump capacity	80.00 L/min
Relief valve pressure setting	250.00 bar

Cycle Times

Lift time - no load	6.0 s
Lower time - no load	4.2 s
Telescope in time at max. reach - no load	4.2 s
Telescope in time at max. height - no load	4.2 s
Telescope out time at max. reach - no load	7.4 s
Telescope out time at max. height - no load	7.4 s

Brakes

Engine braking	Hydrostatic
Parking and emergency brake	Passive brake

Fluid Capacities

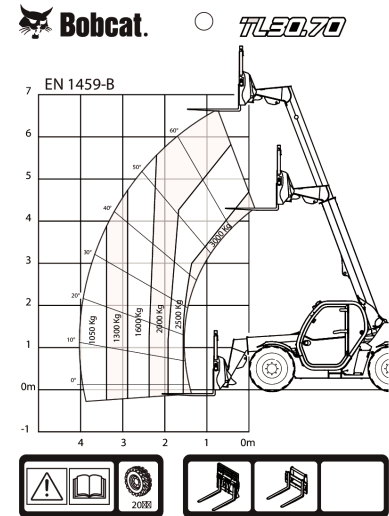
Fuel tank	115.00 L
Hydraulic reservoir	47.00 L

Environmental

Operator noise level (LpA) (EN 12053)	76 dB(A)
Operator noise level (LpA) (EN 12053) uncertainty	4 dB(A)
Level of acoustic power (LWA)	104 dB(A)
Whole body vibration (EN 13059)	1.80 ms ⁻²

Load Charts

With forks on 20 inch tyres



109460 G7

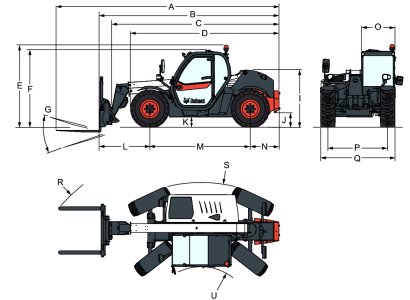
7312833

Options

Air conditioning	Standard engine ignition (with key) with additional keypad security
Boom stop	Manitou carriage with hydraulic attachment lock (boom wiring harness mandatory)
Custom colour	Manitou carriage with manual attachment lock
Fire extinguisher	Basic option tyres - set of 4 x 400/80-24"
Forward/Reverse control on Steering Wheel Lever (no longer on joystick)	Blue lights for henhouses
Lockable fuel cap	Boom suspension
Loudspeaker & radio ready	Boom wiring harness and controls in cab
Pintle tow hitch (including rear electric socket)	Dunlop tyres - set of 4 x 405/70-20" SPT9 MPT (SEMI INDUSTRIAL)
Protective grill for windshield (front and roof)	Dunlop tyres - set of 4 x 405/70-24" SPT9 MPT (SEMI INDUSTRIAL)
Rear Flat Mirror	Forward/Reverse control on joystick and steering wheel
Roof window wiper	Front tow hitch
Sun visor	Premium cab finition (deluxe steering wheel, arm rest, aluminium panels)
Support for vehicle registration plate	Fan inverter with manual & auto modes
Wheel wedge	Michelin tyres - set of 4 x 400/70R20" 149A8/149B IND TL BIBLOAD
Work lights on boom	Michelin tyres - set of 4 x 400/70R20" 149A8/149B IND TL XMCL
Basic tow hitch	Michelin tyres - set of 4 x 400/70R24" 152A8/152B IND TL XMCL
High comfort air suspension seat	Rear auxiliary line
Keyless ignition (start/stop with keypad)	Rear auxiliary line with hydraulic pick-up tow hitch (including rear electric socket) (rear flat mirror mandatory)
Michelin tyres - set of 4 x 400/80-24" 162A8 IND TL POWER CL	Rotating tow hitch with height adjustment (auto-lock/German style) (including rear electric socket)
Quicktach carriage with hydraulic attachment lock (boom wiring harness mandatory)	
Rotating tow hitch (including rear electric socket)	

Rotating tow hitch with height adjustment (manual locking) (including rear electric socket)
Transmission 35km/h (max speed with 24" tyres)

Dimensions



(A)	6240.0 mm	(M)	2820.0 mm
(B)	5035.0 mm	(N)	667.0 mm
(C)	4670.0 mm	(O)	930.0 mm
(D)	4185.0 mm	(P)	1666.0 mm
(E)	2290.0 mm	(Q)	2100.0 mm
(F)	2156.0 mm	(R)	5035.0 mm
(G)	136.0°	(S)	5130.0 mm
(I)	1587.0 mm	(U)	3717.0 mm
(J)	264.0 mm	(V)	1329.0 mm
(L)	1400.0 mm		857.0 mm