

Performance

Lifting height — on tyres	6889.0 mm
Rated capacity	3500 kg
Capacity (at max. height on tyres)	3500 kg
Capacity (at max. reach on tyres)	1500 kg
Max. reach on tyres	4002.0 mm

Weights

Weight (unladen)	7050 kg
------------------	---------

Traction

Standard tyres	SOLIDEAL 405/70-20 14PR
1st gear / low range (40 km/h option)	6 (6) km/h
1st gear / high range (40 km/h option)	11 (12) km/h
2nd gear / low range (40 km/h option)	16 (18) km/h
2nd gear / high range (40 km/h option)	30 (40) km/h

Drive System

Transmission	Hydrostatic with electronic regulation
Main drive	Hydrostatic motor + 2 speed gearbox

Engine

Make / Model	Perkins / 1104D-44TA
Fuel	Diesel
Cooling	Water
Rated power (ISO 14396)	100.0 HP
Rated power (ISO 14396)	74.5 kW
Maximum torque at 1400 RPM	410.0 Nm
Number of cylinders	4
Displacement	4.40 L

Hydraulic System

Pump type	Gear pump with LS valve
Pump capacity	100.00 L/min
Relief valve pressure setting	250.00 bar

Cycle Times

Lift time - no load	8.0 s
Lower time - no load	6.0 s
Telescope in time at max. reach - no load	6.5 s
Telescope in time at max. height - no load	6.5 s
Telescope out time at max. reach - no load	7.1 s
Telescope out time at max. height - no load	7.1 s

Brakes

Engine braking	Hydrostatic
Parking and emergency brake	Passive brake

Fluid Capacities

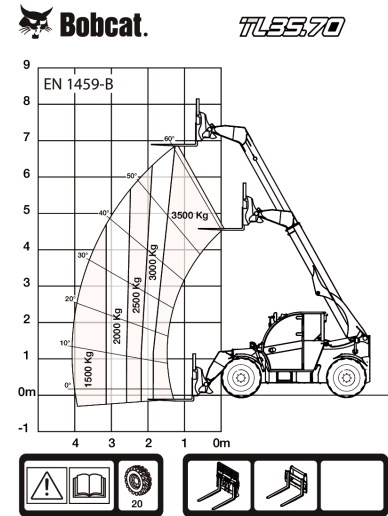
Fuel tank	138.00 L
Hydraulic reservoir	59.00 L

Environmental

Sound pressure level at the operator station EN 12053 - 30kmh (LpA)	76 dB(A)
Level of acoustic power (LWA)	106 dB(A)
Whole body vibration (EN 13059)	1.50 ms ⁻²

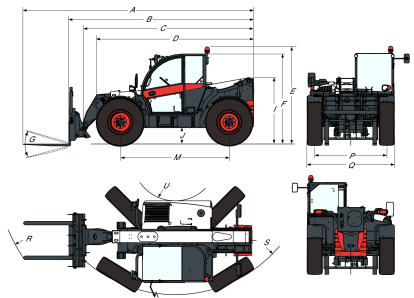
Load Charts

With forks on 20 inch tyres


Options

Air conditioning	Manitou carriage with manual attachment lock
Boom stop	Basic option tyres - set of 4 x 400/80-24"
Custom colour	Blue lights for henhouses
Fire extinguisher	Boom suspension
Forward/Reverse control on Steering Wheel Lever (no longer on joystick)	Dunlop tyres - set of 4 x 405/70-20" SPT9 MPT (SEMI INDUSTRIAL)
Lockable fuel cap	Dunlop tyres - set of 4 x 405/70-24" SPT9 MPT (SEMI INDUSTRIAL)
Loudspeaker & radio ready PVC Document holder	Forward/Reverse control on joystick and steering wheel
Pintle tow hitch (including rear electric socket)	Front tow hitch
Protective grill for windshield (front and roof)	Fan inverter with manual & auto modes
Rear Flat Mirror	Rear auxiliary line
Roof window wiper	Rotating tow hitch with height adjustment (auto-lock/German style) (including rear electric socket)
Sun visor	Rotating tow hitch with height adjustment (manual locking) (including rear electric socket)
Support for vehicle registration plate	Trailer brake valve (not available for Germany & Italy)
Wheel wedge	Transmission 40km/h (max speed with 24" tyres)
Work lights on boom	Cold start
Basic tow hitch	Cyclonic air prefilter
High comfort air suspension seat	Michelin tyres - set of 4 x 460/70R24" XMCL (AGRICULTURAL)
Keyless ignition (start/stop with keypad)	Michelin tyres - set of 4 x 500/70R24" XMCL (AGRICULTURAL) (Except overseas countries - Container shipping)
Michelin tyres - set of 4 x 400/80-24" 162A8 IND TL POWER CL	Nokian recycling tyres - set of 4 x 480/65R24" TRI STEEL (RECYCLING)
Quicktach carriage with hydraulic attachment lock (boom wiring harness mandatory)	Arm rest
Rotating tow hitch (including rear electric socket)	Boom wiring harness and electric connectors
Standard engine ignition (with key) with additional keypad security	Tool box
Manitou carriage with hydraulic attachment lock (boom wiring harness mandatory)	

Hydraulic pick-up tow hitch
 (including rear electric
 socket) (rear flat mirror
 mandatory)
 Alliance tyres - set
 of 4 x 460/70R24"
 (AGRICULTURAL) (Except
 overseas countries by
 container shipping)

Dimensions


(-)	900.0 mm	(L)	1356.0 mm
(A)	6074.0 mm	(M)	2870.0 mm
(B)	4869.0 mm	(N)	643.0 mm
(C)	4763.0 mm	(O)	1013.0 mm
(D)	4058.0 mm	(P)	1895.0 mm
(E)	2477.0 mm	(Q)	2300.0 mm
(F)	2340.0 mm	(R)	4925.0 mm
(G)	135.0°	(R)	5015.0 mm
(I)	1668.0 mm	(S)	3714.0 mm
(J)	346.0 mm	(U)	1092.0 mm